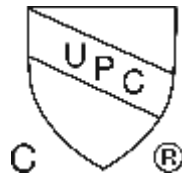


# MT606, 607, 608, 609, 603A

## RE-VIVE COLLECTION SELECT SERIES SHOWER DRAIN

### SPECIFICATION SHEET

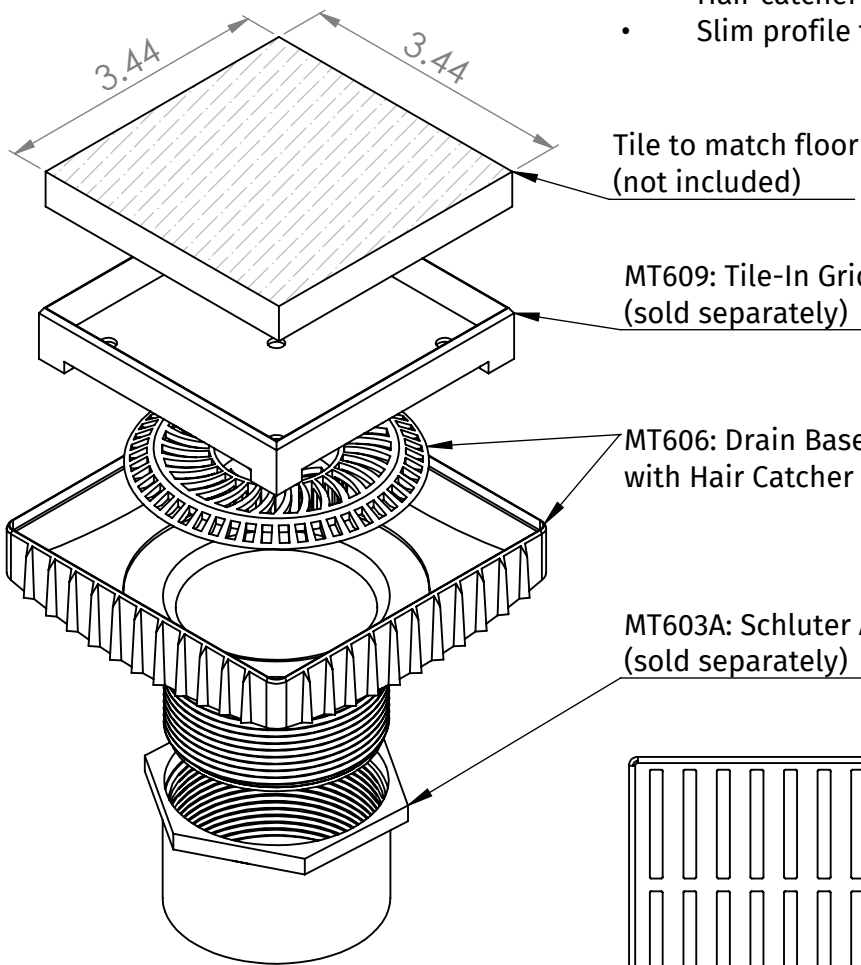


A McAlpine Company

# Mountain

## Plumbing Products

- 4" Shower drain assembly
- Available with stainless steel grid or tile-in
- Schluter adapter available
- 2" 11 1/2 NPSM thread
- Hair catcher prevents clogs
- Slim profile for minimal visibility



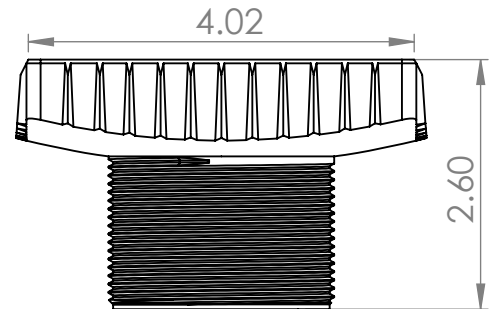
Tile to match floor  
(not included)

MT609: Tile-In Grid  
(sold separately)

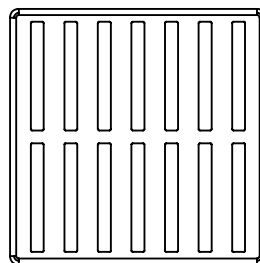
MT606: Drain Base  
with Hair Catcher

MT603A: Schluter Adapter  
(sold separately)

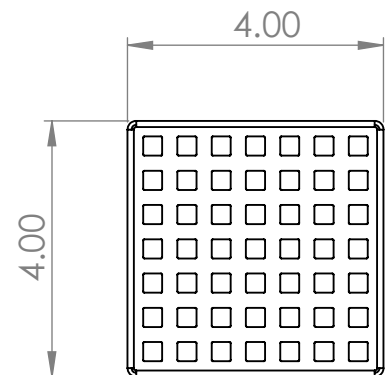
Example of drain assembly  
with Tile-In Grid



MT606: Drain Base (ABS)



MT608: Line Grid  
(sold separately)



MT607: Square Grid  
(sold separately)

#### WARRANTY

FOR WARRANTY INFO PLEASE VISIT [WWW.MOUNTAINPLUMBING.COM/PAGE/RESOURCES/WARRANTY](http://WWW.MOUNTAINPLUMBING.COM/PAGE/RESOURCES/WARRANTY)

#### FINISH CARE & MAINTENANCE

NEVER USE ANY HARSH ALKALI, ACID BASED DETERGENTS OR CLEANERS SUCH AS SOFT SCRUB®, SCRUBBING BUBBLES® OR COMET® TO CLEAN. DO NOT USE BRILLO® OR SCOTCH BRITE® PADS. THESE WILL ALL HARM THE FINISH. TO CLEAN, USE ONLY A DAMP SOFT CLOTH AND WIPE GENTLY. STANDARD WINDEX® CAN ALSO BE USED SPARINGLY. IT IS NOT NECESSARY TO WIPE HARD TO REMOVE SPOTS. TO MAINTAIN THE FINISH, WIPE WITH A SOFT DRY CLOTH AFTER USE. AN OCCASIONAL COAT OF PURE CARNAUBA WAX WITHOUT CLEANERS WILL HELP PROTECT THE FINISH.

SPECIFICATIONS SUBJECT TO CHANGE WITHOUT NOTICE