

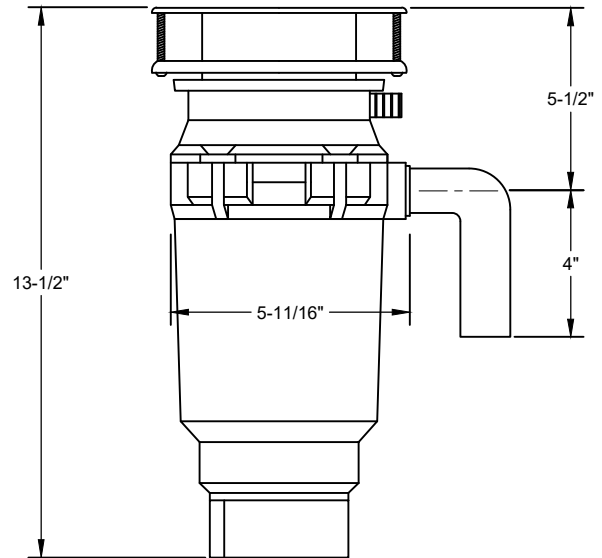
MT444-3CFWD3B

PERFECT GRIND®

CONTINUOUS FEED 1/2 HP
FOOD WASTE DISPOSER



A McAlpine Company
Mountain
Plumbing Products



This model offers the following features:

- Permanent Magnet High RPM Means High Torque and Less Jams
- Bio-guard Antimicrobial Protection
- Removable Splash Guard
- Stainless Steel Turntable and Grind Rings (Compared to Competitor's Cold-Rolled or Galvanized Steel)
- Factory Installed Power Cord with Plug
- Safe for Properly Sized Septic Tanks
- 3-Bolt Mounting System

WARRANTY

THE 1/2 HP MOUNTAIN PERFECT GRIND WASTE DISPOSER COMES WITH A 3 YEAR REPLACEMENT WARRANTY AGAINST ANY MECHANICAL OR MATERIAL DEFECT. IN ADDITION TO THE ABOVE WARRANTY, ALL PERFECT GRIND DISPOSALS COME WITH A LIFETIME WARRANTY AGAINST CORROSION. LABOR NOT INCLUDED.

SPECIFICATIONS

HP	1/2
Motor Type	Permanent Magnet
Feed	Continuous
Volts	110V
Frequency	50/60Hz
Motor Speed	2500RPM
Hopper Capacity	29oz
Balance Level	G0.4
Turntable	Stainless Steel
Grind Rings	Stainless Steel
Sink Flange	Stainless Steel
Basket Strainer	Stainless Steel
Drain Elbow	ABS
Bearings	Permanently Lubricated, Sleeve Type
Manual Reset Protector	Protection for Overload and Temp.
Shipping Weight	10.6lbs
Pallet Quantity	144pcs