

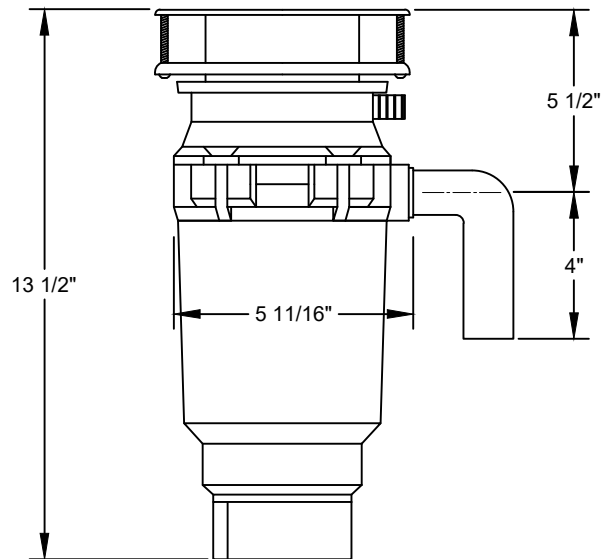
# MT444-3CFWD3B

## PERFECT GRIND®

CONTINUOUS FEED 1/2 HP  
FOOD WASTE DISPOSER



A McAlpine Company  
**Mountain**  
Plumbing Products



This model offers the following features:

- Permanent Magnet High RPM Means High Torque and Less Jams
- Bio-guard Antimicrobial Protection
- Removable Splash Guard
- Stainless Steel Turntable and Grind Rings (Compared to Competitor's Cold-Rolled or Galvanized Steel)
- Factory Installed Power Cord with Plug
- Safe for Properly Sized Septic Tanks
- 3-Bolt Mounting System

### WARRANTY

THE 1/2 HP MOUNTAIN PERFECT GRIND WASTE DISPOSER COMES WITH A 3 YEAR LIMITED REPLACEMENT WARRANTY.



### SPECIFICATIONS

|                        |                                     |
|------------------------|-------------------------------------|
| HP                     | 1/2                                 |
| Motor Type             | Permanent Magnet                    |
| Feed                   | Continuous                          |
| Volts                  | 110V                                |
| Frequency              | 50/60Hz                             |
| Motor Speed            | 2500RPM                             |
| Hopper Capacity        | 29oz                                |
| Balance Level          | G0.4                                |
| Turntable              | Stainless Steel                     |
| Grind Rings            | Stainless Steel                     |
| Sink Flange            | Stainless Steel                     |
| Basket Strainer        | Stainless Steel                     |
| Drain Elbow            | ABS                                 |
| Bearings               | Permanently Lubricated, Sleeve Type |
| Manual Reset Protector | Protection for Overload and Temp.   |
| Shipping Weight        | 10.6lbs                             |
| Pallet Quantity        | 144pcs                              |