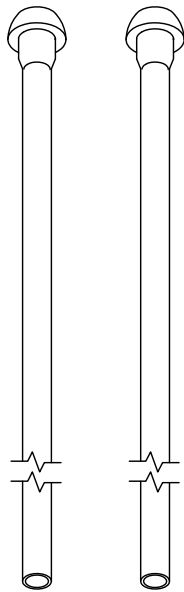
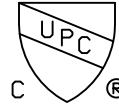
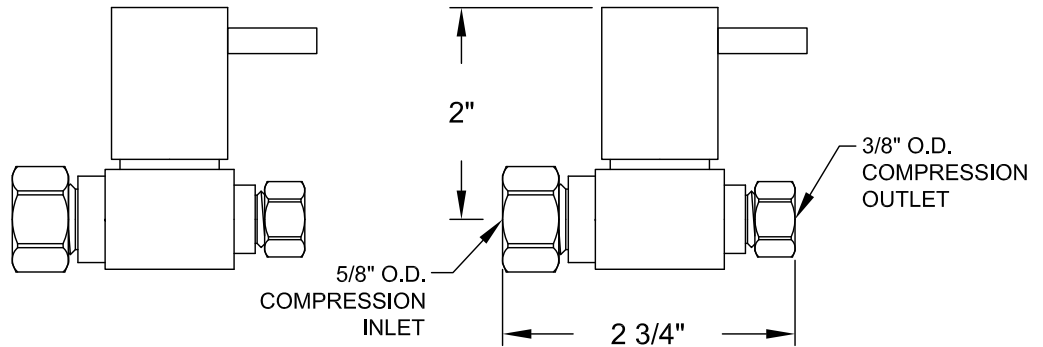


MT5121L-NL SPECIFICATIONS

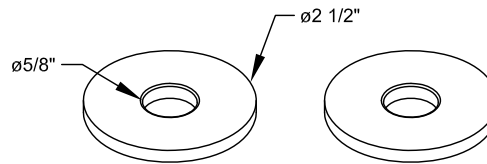
LAVATORY SUPPLY KIT WITH CONTEMPORARY LEVER HANDLE NO LEAD* STRAIGHT VALVES, SUPPLY TUBES AND ESCUTCHEONS



MT432X
3/8" x 20" LG.
RIGID SUPPLY TUBE



MT5120L-NL
STRAIGHT VALVE



MT441X
SURE GRIP FLANGE

THIS MODEL OFFERS THE FOLLOWING FEATURES:

- CONTEMPORARY LEVER HANDLE STYLING
- 1/4 TURN LONG LIFE CERAMIC DISC CARTRIDGE
- 3/8" O.D. COMPRESSION OUTLET
- 5/8" O.D. COMPRESSION INLET
- AVAILABLE IN MANY FINISHES

WARRANTY

ONE YEAR WARRANTY ON PLATED FINISHES, 90 DAY WARRANTY ON ORB, EB, MHB, TB AND WCP AND LIFETIME ON PVD PROVIDED PROPER CARE HAS BEEN USED. ONE YEAR WARRANTY ON ALL PARTS. APPLIES TO ORIGINAL PURCHASER. CLAIMS REQUIRE PROOF OF PURCHASE.

FINISH CARE & MAINTENANCE

NEVER USE ANY HARSH ALKALI, ACID BASED DETERGENTS OR CLEANERS SUCH AS SOFT SCRUB[®], SCRUBBING BUBBLES[®] OR COMET[®] TO CLEAN. DO NOT USE BRILLO[®] AND SCOTCH BRITE[®] PADS. THESE WILL ALL HARM THE FINISH. TO CLEAN, USE ONLY A DAMP SOFT CLOTH AND WIPE USING A SOFT CLOTH. STANDARD WINDEX CAN ALSO BE USED SPARINGLY. TO MAINTAIN THE FINISH, WIPE WITH A SOFT DRY CLOTH. AN OCCASIONAL COAT OF PURE CARNUBA WAX WITHOUT CLEANERS WILL HELP PROTECT THE FINISH.

* LESS THAN 0.25% LEAD

Specifications subject to change without notice