

MT 888-3CFWD

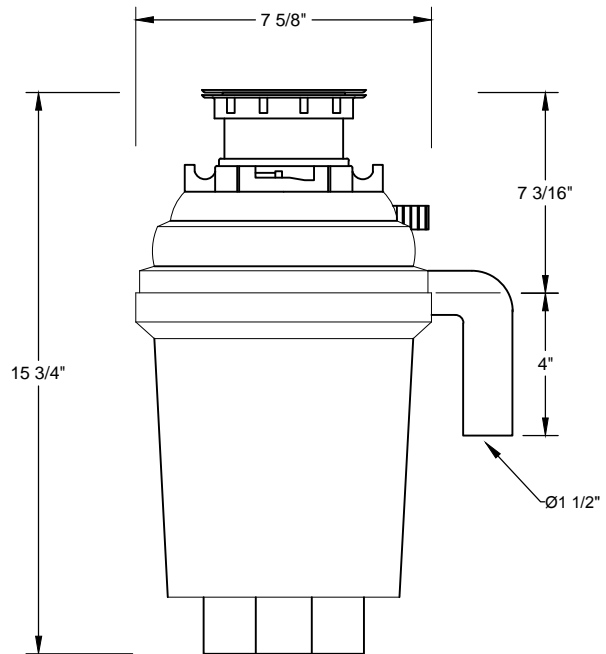
PERFECT GRIND®

CONTINUOUS FEED 1-1/4 HP

FOOD WASTE DISPOSER



Mountain
Plumbing Products



This model offers the following features:

- Permanent Magnet High RPM Means High Torque and Less Jams
- Bio-guard Antimicrobial Protection
- Removable Splash Guard
- Factory Installed Power Cord with Plug
- Safe for Properly Sized Septic Tanks
- E-Z Connect No Tool Mounting System

WARRANTY

THE 1-1/4 HP MOUNTAIN PERFECT GRIND WASTE DISPOSER COMES WITH A LIFETIME REPLACEMENT WARRANTY.



SPECIFICATIONS

| | |
|------------------------|-------------------------------------|
| HP | 1-1/4 |
| Motor Type | Permanent Magnet |
| Feed | Continuous |
| Volts | 120V |
| Frequency | 50/60Hz |
| Motor Speed | 2500RPM |
| Hopper Capacity | 29oz |
| Balance Level | G0.4 |
| Sink Flange | Stainless Steel |
| Stopper | Stainless Steel |
| Drain Elbow | ABS |
| Bearings | Permanently Lubricated, Sleeve Type |
| Manual Reset Protector | Protection for Overload and Temp. |
| Shipping Weight | 13 lbs |
| Pallet Quantity | 64pcs |