

MT745-3

ROUND STYLE LAVATORY DRAIN WITH EZ-CLICK™ DOME WITH OVERFLOW

SPECIFICATION SHEET

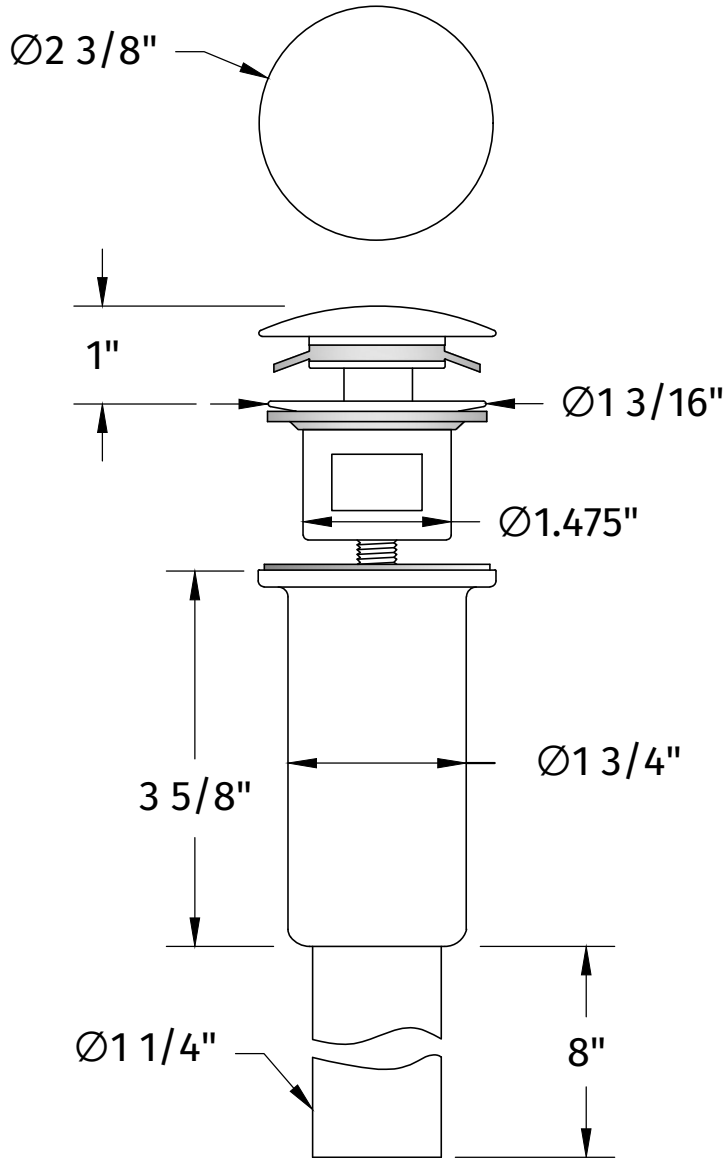


A McAlpine Company



Mountain

Plumbing Products



- FOR USE WITH Ø1 1/2" DRAIN OPENING
- INTENDED FOR SINKS AND VESSELS WITH OVERFLOW UP TO 2 1/4" THICK (NOT SUITABLE FOR COUNTERTOP INSTALLATION)
- Ø1 1/4" TAILPIECE IS REMOVABLE
- ENTIRE DRAIN AND TAILPIECE ARE FINISHED FOR EXPOSED APPLICATIONS
- SUITABLE FOR THIN STAINLESS-STEEL SINKS

- MT326TP - Ø1 1/4" x 12" TAILPIECE (SOLD SEPARATELY)
- MT328SJ - Ø1 1/4" x 8" SLIP JOINT EXTENSION (SOLD SEPARATELY)

WARRANTY

FOR WARRANTY INFO PLEASE VISIT WWW.MOUNTAINPLUMBING.COM/PAGE/RESOURCES/WARRANTY

FINISH CARE & MAINTENANCE

NEVER USE ANY HARSH ALKALI, ACID BASED DETERGENTS OR CLEANERS SUCH AS SOFT SCRUB®, SCRUBBING BUBBLES® OR COMET® TO CLEAN. DO NOT USE BRILLO® AND SCOTCH BRITE® PADS. THESE WILL ALL HARM THE FINISH. TO CLEAN, USE ONLY A DAMP SOFT CLOTH AND WIPE USING A SOFT CLOTH. STANDARD WINDEX® CAN ALSO BE USED SPARINGLY. IT IS NOT NECESSARY TO WIPE HARD TO REMOVE SPOTS. TO MAINTAIN THE FINISH, WIPE WITH A SOFT DRY CLOTH AFTER USE. AN OCCASIONAL COAT OF PURE CARNAUBA WAX WITHOUT CLEANERS WILL HELP PROTECT THE FINISH.

SPECIFICATIONS SUBJECT TO CHANGE WITHOUT NOTICE