

MT745-2

ROUND STYLE LAVATORY DRAIN WITH EZ-CLICK™ DOME WITHOUT OVERFLOW

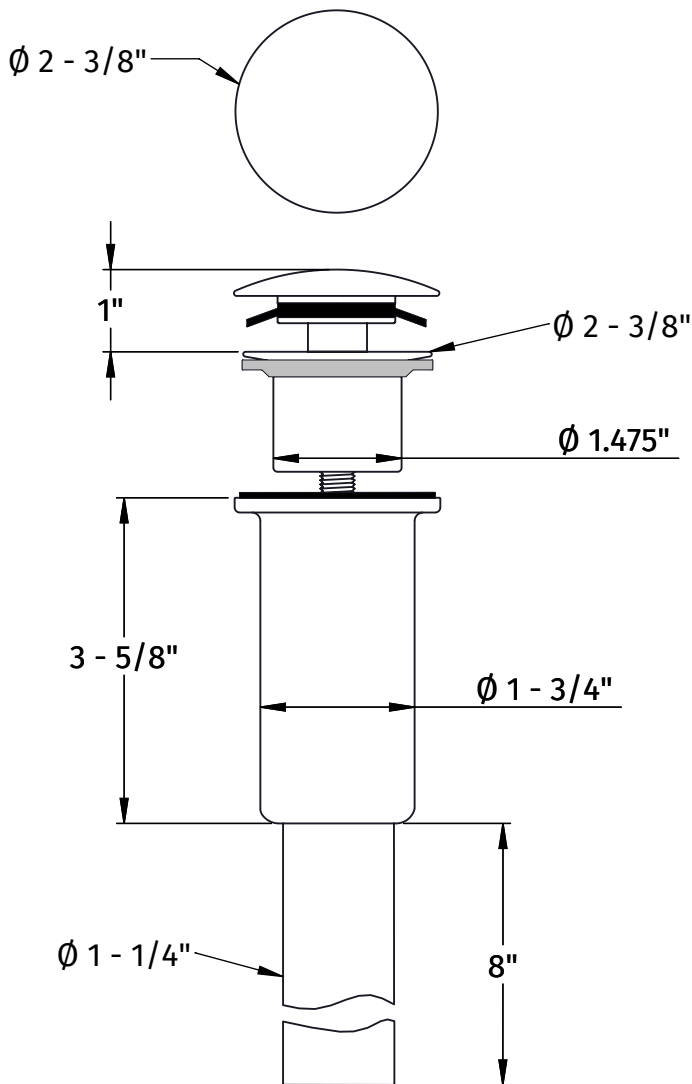


A McAlpine Company

Mountain

Plumbing Products

SPECIFICATION SHEET



- FOR USE WITH $\varnothing 1 - 1/2"$ DRAIN OPENING
- INTENDED FOR SINKS AND VESSELS WITHOUT OVERFLOW UP TO $2 - 1/4"$ THICK (NOT SUITABLE FOR COUNTERTOP INSTALLATION)
- $\varnothing 1 - 1/4"$ TAILPIECE IS REMOVABLE
- ENTIRE DRAIN AND TAILPIECE ARE FINISHED FOR EXPOSED APPLICATIONS
- SUITABLE FOR THIN STAINLESS STEEL SINKS

- MT326TP - $\varnothing 1 - 1/4" \times 12"$ TAILPIECE (SOLD SEPARATELY)
- MT328SJ - $\varnothing 1 - 1/4" \times 8"$ SLIP JOINT EXTENSION (SOLD SEPARATELY)

WARRANTY

FOR WARRANTY INFO PLEASE VISIT WWW.MOUNTAINPLUMBING.COM/PAGE/RESOURCES/WARRANTY

FINISH CARE & MAINTENANCE

NEVER USE ANY HARSH ALKALI, ACID BASED DETERGENTS OR CLEANERS SUCH AS SOFT SCRUB®, SCRUBBING BUBBLES® OR COMET® TO CLEAN. DO NOT USE BRILLO® OR SCOTCH BRITE® PADS. THESE WILL ALL HARM THE FINISH. TO CLEAN, USE ONLY A DAMP SOFT CLOTH AND WIPE GENTLY. STANDARD WINDEX® CAN ALSO BE USED SPARINGLY. IT IS NOT NECESSARY TO WIPE HARD TO REMOVE SPOTS. TO MAINTAIN THE FINISH, WIPE WITH A SOFT DRY CLOTH AFTER USE. AN OCCASIONAL COAT OF PURE CARNAUBA WAX WITHOUT CLEANERS WILL HELP PROTECT THE FINISH.

SPECIFICATIONS SUBJECT TO CHANGE WITHOUT NOTICE