

MT738-3

LAVATORY POP-UP DRAIN ASSEMBLY WITH POP-UP ROD

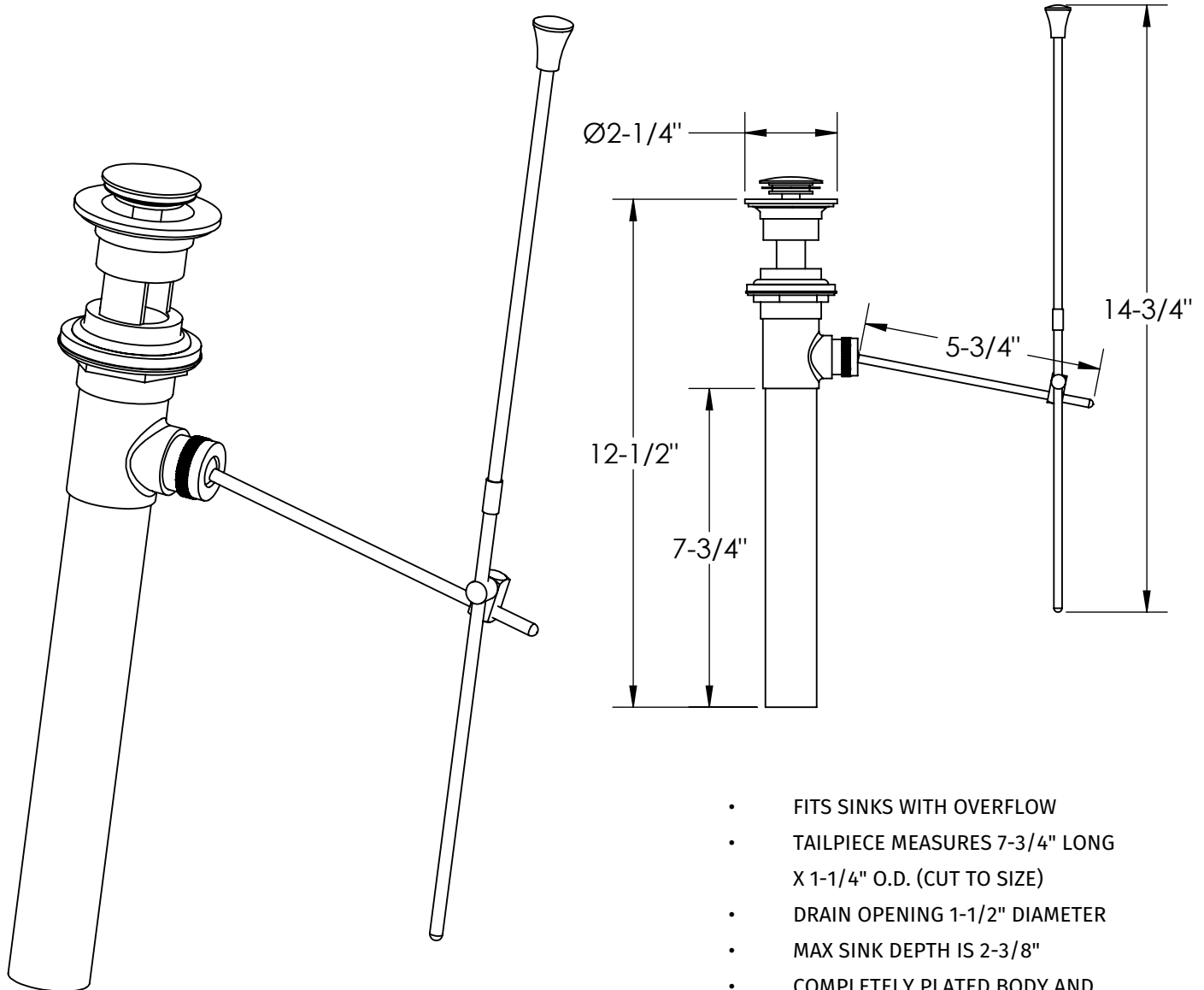


A McAlpine Company

Mountain

Plumbing Products

SPECIFICATION SHEET



- FITS SINKS WITH OVERFLOW
- TAILPIECE MEASURES 7-3/4" LONG X 1-1/4" O.D. (CUT TO SIZE)
- DRAIN OPENING 1-1/2" DIAMETER
- MAX SINK DEPTH IS 2-3/8"
- COMPLETELY PLATED BODY AND TAILPIECE

WARRANTY

FOR WARRANTY INFO PLEASE VISIT WWW.MOUNTAINPLUMBING.COM/PAGE/RESOURCES/WARRANTY

FINISH CARE & MAINTENANCE

NEVER USE ANY HARSH ALKALI, ACID BASED DETERGENTS OR CLEANERS SUCH AS SOFT SCRUB®, SCRUBBING BUBBLES® OR COMET® TO CLEAN. DO NOT USE BRILLO® OR SCOTCH BRITE® PADS. THESE WILL ALL HARM THE FINISH. TO CLEAN, USE ONLY A DAMP SOFT CLOTH AND WIPE GENTLY. STANDARD WINDEX® CAN ALSO BE USED SPARINGLY. IT IS NOT NECESSARY TO WIPE HARD TO REMOVE SPOTS. TO MAINTAIN THE FINISH, WIPE WITH A SOFT DRY CLOTH AFTER USE. AN OCCASIONAL COAT OF PURE CARNAUBA WAX WITHOUT CLEANERS WILL HELP PROTECT THE FINISH.

SPECIFICATIONS SUBJECT TO CHANGE WITHOUT NOTICE

www.mountainplumbing.com 888-222-9140 fax 972-456-2719

form MT738-3 spec sht