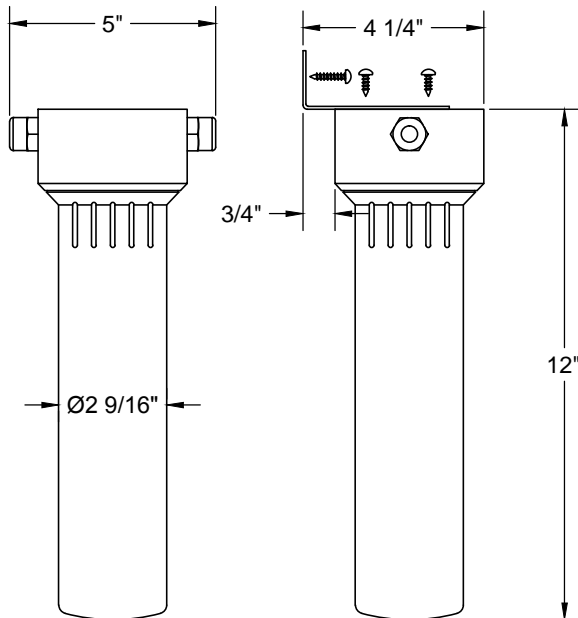


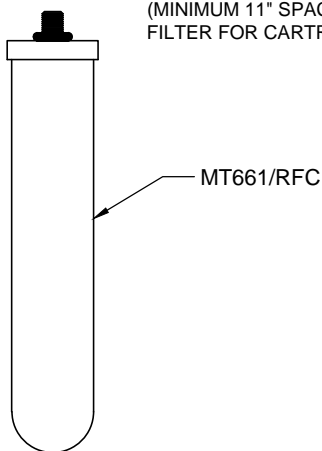
MT660

MOUNTAIN PURE CERAMIC FILTRATION SYSTEM

SPECIFICATION SHEET



(MINIMUM 11" SPACE REQUIRED BELOW FILTER FOR CARTRIDGE REPLACEMENT)



THIS FILTER OFFERS THE FOLLOWING FEATURES:

- REMOVES 99.9% OF PARTICLES OVER .5 MICRONS
- ANTI-MICROBIAL AGENT INCORPORATED TO REDUCE BACTERIA
- 1000 GALLON CAPACITY (APPROXIMATELY 9 MONTHS BASED ON AVERAGE USAGE)
- OPERATES WITHOUT WASTING WATER LIKE R.O. FILTERS
- CLEANABLE FILTER CARTRIDGE
- 6 FEET OF 3/8" HDPE TUBING INCLUDED
- INSTALLATION FITTINGS FOR POINT OF USE FAUCETS INLCUDED
- MAX WORKING PRESSURE: 100psig (689 kPa)
- MAX WORKING TEMPERATURE: 86°F (30°C)
- MIN WORKING PRESSURE: 10psig (69kPa)
- MIN WORKING TEMPERATURE: 41°F (5°C)

IMPURITIES REMOVED:

PREVENTS SCALE	ASBESTOS FIBERS
CHLORINE	OXIDIZED IRON
BAD TASTE/ODORS	99.9% OF PARTICLES >.5 MICRONS
CHLORAMINES	LEAD
DIRT AND DUST	TRIHALOMETHANES
GIARDIA LAMBIA CYSTS	VOLATILE ORGANIC CHEMICALS
CRYPTOSPORIDIUM CYSTS	TURBIDITY
MOLDS AND ALGAE	PATHOGENIC BACTERIA

WARRANTY

ONE YEAR WARRANTY ON PLATED FINISHES, 90 DAY WARRANTY ON ORB, VB & LIFETIME ON PVD PROVIDED PROPER CARE HAS BEEN USED. ONE YEAR WARRANTY ON ALL PARTS. WARRANTY APPLIES TO ORIGINAL PURCHASER AND CLAIMS REQUIRE PROOF OF PURCHASE.

FINISH CARE & MAINTENANCE

NEVER USE ANY HARSH ALKALI, ACID BASED DETERGENTS OR CLEANERS SUCH AS SOFT SCRUB® SCRUBBING BUBBLES® OR COMET® TO CLEAN. DO NOT USE BRILLO® AND SCOTCH BRITE® PADS. THESE WILL ALL HARM THE FINISH. TO CLEAN, USE ONLY A DAMP SOFT CLOTH AND WIPE USING A SOFT CLOTH. STANDARD WINDEX® CAN ALSO BE USED SPARINGLY. IT IS NOT NECESSARY TO WIPE HARD TO REMOVE SPOTS. TO MAINTAIN THE FINISH, WIPE WITH A SOFT DRY CLOTH AFTER USE. AN OCCASIONAL COAT OF PURE CARNUBA WAX WITHOUT CLEANERS WILL HELP PROTECT THE FINISH.