

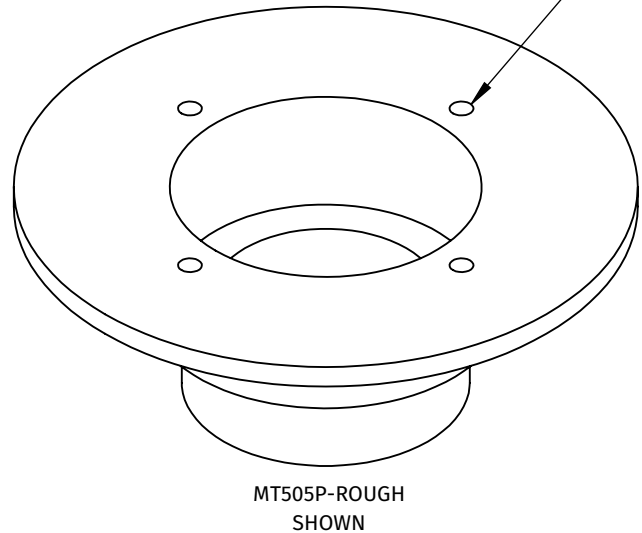
**MT505P-ROUGH**  
**MT505A-ROUGH**  
**MT505CS-ROUGH**  
**MT505CT-ROUGH**



**SHOWER DRAIN BODIES**

**SPECIFICATION SHEET**

ALL DRAIN BODIES INCLUDE 4 SCREWS TO SECURE A DRAIN RING (NOT INCLUDED)

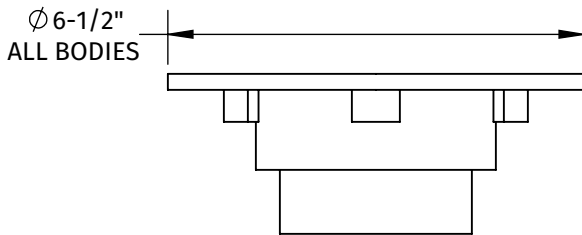


**MT505P-ROUGH**

MATERIAL: PVC

**MT505A-ROUGH**

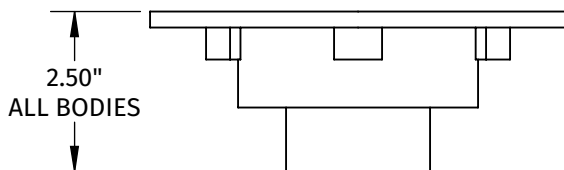
MATERIAL: ABS



- CONNECTS TO 2" ABS/PVC PIPE DRAIN ROUGH
- USE WITH RE-VIVE™ SHOWER DRAINS

**MT505CS-ROUGH**

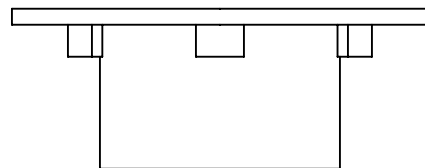
MATERIAL: CAST IRON



- FITS 2" CAST IRON PIPE WITH NO-HUB CONNECTION
- USE WITH RE-VIVE™ SHOWER DRAINS

**MT505CT-ROUGH**

MATERIAL: CAST IRON



- FITS 2" IPS CAST IRON PIPE DRAIN ROUGH
- USE WITH RE-VIVE™ SHOWER DRAINS

**WARRANTY**

FOR WARRANTY INFO PLEASE VISIT [WWW.MOUNTAINPLUMBING.COM/PAGE/RESOURCES/WARRANTY](http://WWW.MOUNTAINPLUMBING.COM/PAGE/RESOURCES/WARRANTY)

**FINISH CARE & MAINTENANCE**

NEVER USE ANY HARSH ALKALI, ACID BASED DETERGENTS OR CLEANERS SUCH AS SOFT SCRUB®, SCRUBBING BUBBLES® OR COMET® TO CLEAN. DO NOT USE BRILLO® OR SCOTCH BRITE® PADS. THESE WILL ALL HARM THE FINISH. TO CLEAN, USE ONLY A DAMP SOFT CLOTH AND WIPE GENTLY. STANDARD WINDEX® CAN ALSO BE USED SPARINGLY. IT IS NOT NECESSARY TO WIPE HARD TO REMOVE SPOTS. TO MAINTAIN THE FINISH, WIPE WITH A SOFT DRY CLOTH AFTER USE. AN OCCASIONAL COAT OF PURE CARNAUBA WAX WITHOUT CLEANERS WILL HELP PROTECT THE FINISH.

SPECIFICATIONS SUBJECT TO CHANGE WITHOUT NOTICE