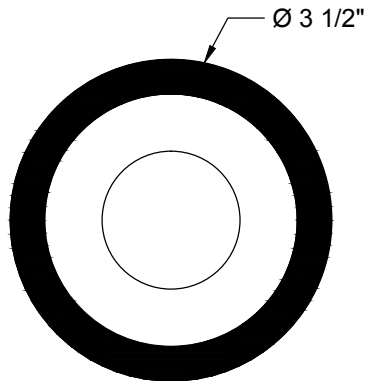


MT204

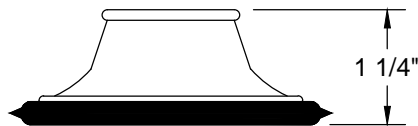
WASTE DISPOSER TRIM COLLAR WITH MATCHING STOPPER

SPECIFICATION SHEET

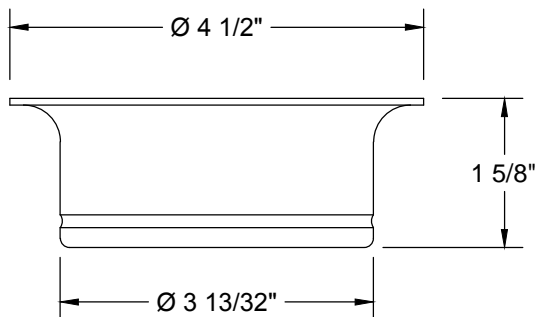


THIS PRODUCT OFFERS THE FOLLOWING FEATURES:

- USE WITH CONTINUOUS FEED WASTE DISPOSERS THAT HAVE A 3 3/8" INSIDE DIAMETER
- FITS EVOLUTION AND ALL INSINKERATOR DISPOSERS INCLUDING BADGER
- ALSO FITS KENMORE, MAYTAG, ACE, KITCHEN AID, AND WHIRLPOOL DISPOSERS
- ACCEPTS INSINKERATOR SILENCER GASKET
- FITS SINKS UP TO 5/8" THICK. USE MT202 FOR FIRECLAY AND THICKER SINKS



BWDS6818



MT205

WARRANTY

ONE YEAR WARRANTY ON PLATED FINISHES, 90 DAY WARRANTY ON ORB, VB & LIFETIME ON PVD PROVIDED PROPER CARE HAS BEEN USED. ONE YEAR WARRANTY ON ALL PARTS. WARRANTY APPLIES TO ORIGINAL PURCHASER AND CLAIMS REQUIRE PROOF OF PURCHASE.

FINISH CARE & MAINTENANCE

NEVER USE ANY HARSH ALKALI, ACID BASED DETERGENTS OR CLEANERS SUCH AS SOFT SCRUB®, SCRUBBING BUBBLES® OR COMET® TO CLEAN. DO NOT USE BRILLO® AND SCOTCH BRITE® PADS. THESE WILL ALL HARM THE FINISH. TO CLEAN, USE ONLY A DAMP SOFT CLOTH AND WIPE USING A SOFT CLOTH. STANDARD WINDEX® CAN ALSO BE USED SPARINGLY. IT IS NOT NECESSARY TO WIPE HARD TO REMOVE SPOTS. TO MAINTAIN THE FINISH, WIPE WITH A SOFT DRY CLOTH AFTER USE. AN OCCASIONAL COAT OF PURE CARNUBA WAX WITHOUT CLEANERS WILL HELP PROTECT THE FINISH.