

MT1803-NL, MT1843-NL

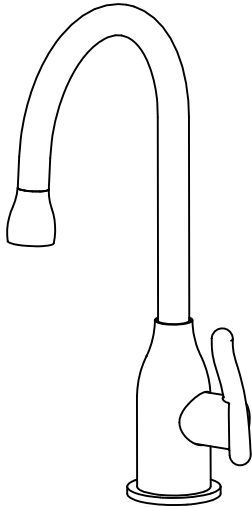
MT1853-NL, MT1873-NL

"THE LITTLE GOURMET<sup>®</sup>" LEAD FREE\*

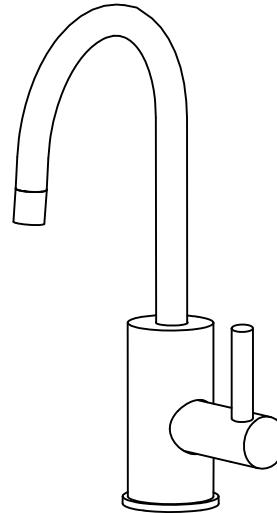
POINT OF USE DRINKING WATER FAUCET



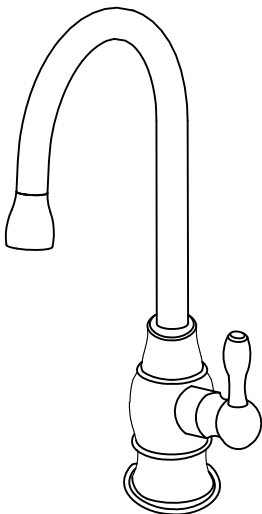
## INSTALLATION SHEET



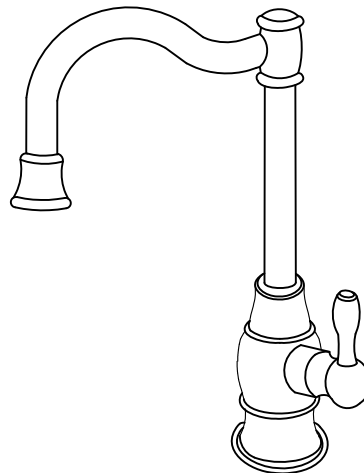
MT1803-NL



MT1843-NL



MT1853-NL



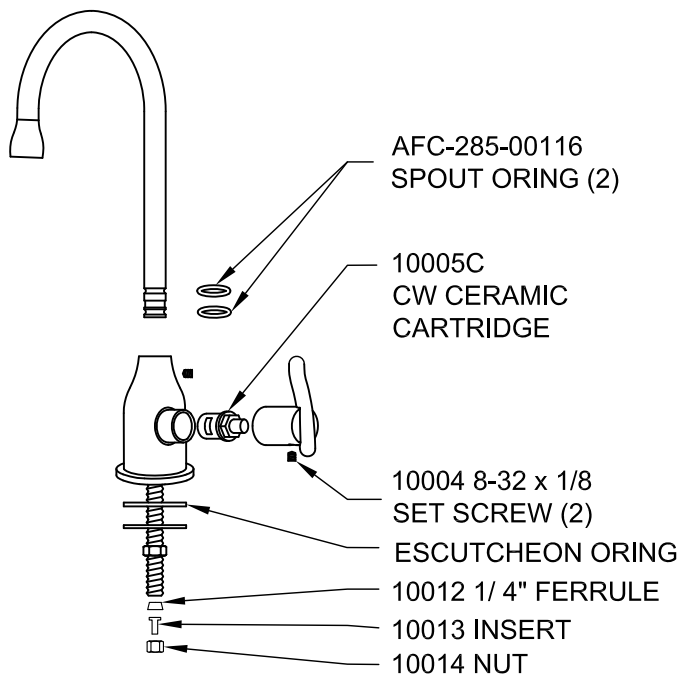
MT1873-NL

\*0.25% LEAD MAX PER CA AB1953

MOUNTAIN PLUMBING PRODUCTS

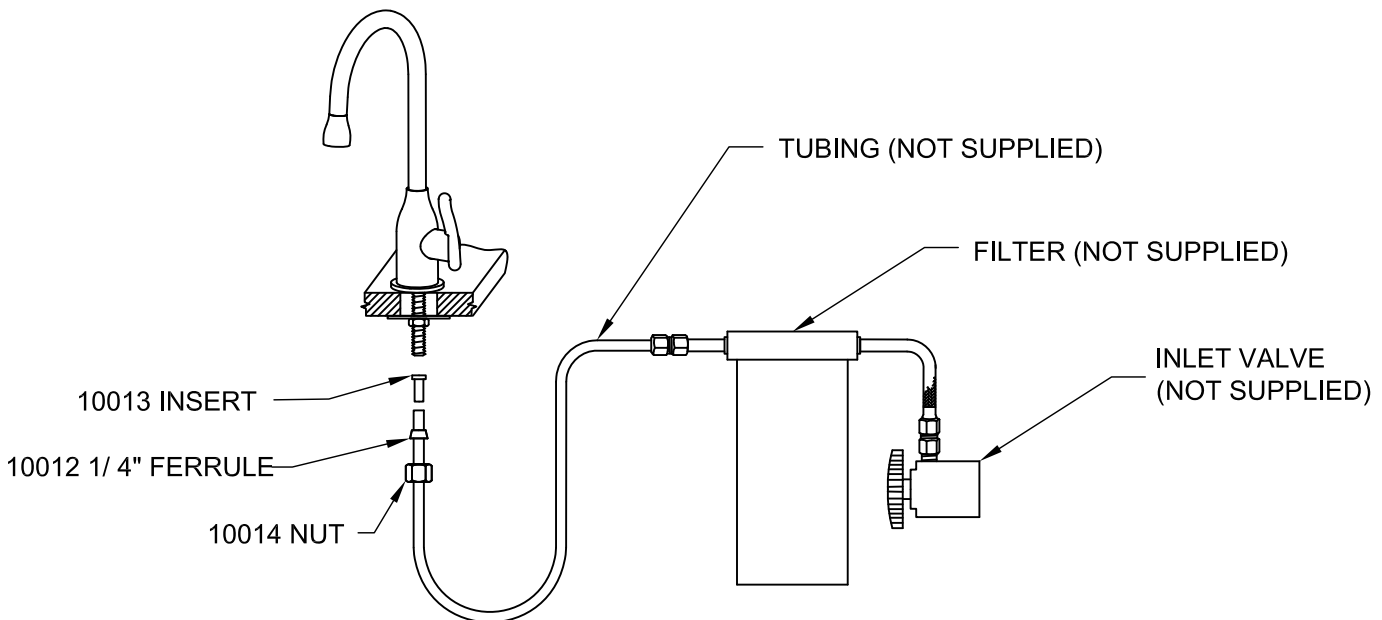
888-222-9140 FAX 972-456-2719

[www.mountainplumbing.com](http://www.mountainplumbing.com)



## INSTALLATION INSTRUCTIONS

1. MAKE SURE COUNTER HAS A 3/4" TO 1 3/8" MOUNTING HOLE AND IS NO MORE THAN 2 1/4" THICK.
  2. MAKE SURE THE ORING IS THE BOTTOM OF THE ESCUTCHEON.
  3. PLACE ESCUTCHEON ON COUNTER.
  4. PLACE FAUCET ON THE ESCUTCHEON.
  5. FROM BELOW, SLIDE THE METAL WASHER OVER THE MOUNTING NIPPLE AND SCREW ON NUT.
  6. CHECK LOCATION AND TIGHTEN.
  7. SLIDE NUT OVER WATER INLET TUBING.
  8. SLIDE FERRULE OVER TUBE.
  9. PUSH INSERT INTO TUBE.
  10. TIGHTEN NUT ON MOUNTING NIPPLE.
- CAUTION - DO NOT OVER TIGHTEN .**
11. TURN ON WATER AND CHECK FOR LEAKS.



## FINISH CARE & MAINTENANCE

**NEVER** USE ANY HARSH ALKALI, ACID BASED DETERGENTS OR CLEANERS SUCH AS SOFT SCRUB<sup>®</sup>, SCRUBBING BUBBLES<sup>®</sup> OR COMET<sup>®</sup> TO CLEAN. DO **NOT** USE BRILLO<sup>®</sup> OR SCOTCH BRITE<sup>®</sup> PADS, AS THESE WILL ALL HARM THE FINISH.

TO CLEAN, USE ONLY A DAMP SOFT CLOTH AND WIPE USING A SOFT CLOTH. STANDARD WINDEX<sup>®</sup> CAN ALSO BE USED SPARINGLY. IT IS NOT NECESSARY TO WIPE HARD TO REMOVE SPOTS.

TO MAINTAIN THE FINISH, WIPE WITH A SOFT DRY CLOTH AFTER USE. AN OCCASIONAL COAT OF PURE CARNUBA WAX WITHOUT CLEANERS WILL HELP PROTECT THE FINISH.

## WARRANTY

ONE YEAR WARRANTY ON PLATED FINISHES, 90 DAY WARRANTY ON ORB, EB, MHB, TB AND WCP AND LIFETIME ON PVD PROVIDED PROPER CARE HAS BEEN USED. WARRANTY APPLIES TO ORIGINAL PURCHASER ONLY AND CLAIMS REQUIRE PROOF OF PURCHASE.