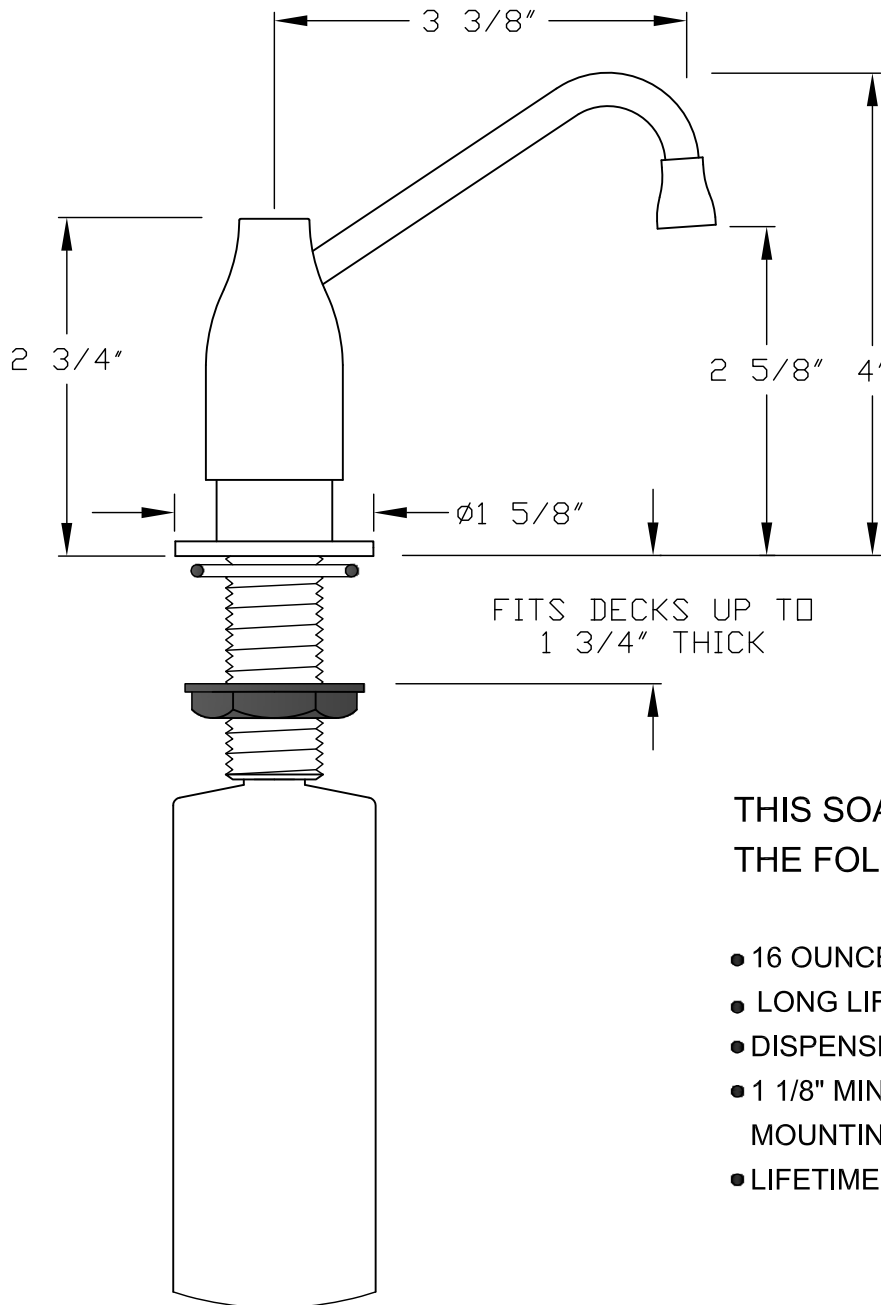


MT118 SOAP DISPENSER

SPECIFICATION SHEET



THIS SOAP DISPENSER OFFERS THE FOLLOWING FEATURES:

- 16 OUNCE RESERVOIR BOTTLE
- LONG LIFE SOAP PUMP
- DISPENSER FILLS FROM TOP
- 1 1/8" MIN TO 1 7/16" MAX DIAMETER MOUNTING HOLE
- LIFETIME WARRANTY ON THE SOAP PUMP

FINISH CARE & MAINTENANCE

NEVER USE ANY HARSH ALKALI, ACID BASED DETERGENTS OR CLEANERS SUCH AS SOFT SCRUB[®], SCRUBBING BUBBLES[®] OR COMET[®] TO CLEAN. DO NOT USE BRILLO[®] AND SCOTCH BRITE PADS. THESE WILL ALL HARM THE FINISH. TO CLEAN, USE ONLY A DAMP SOFT CLOTH AND WIPE USING A SOFT CLOTH. STANDARD WINDEX[®] CAN ALSO BE USED SPARINGLY. TO MAINTAIN THE FINISH, WIPE WITH A SOFT DRY CLOTH. AN OCCASIONAL COAT OF PURE CARNUBA WAX WITHOUT CLEANERS WILL HELP PROTECT THE FINISH.

WARRANTY

ONE YEAR WARRANTY ON PLATED FINISHES, 90 DAY WARRANTY ON ORB, VB AND LIFETIME ON PVD PROVIDED PROPER CARE HAS BEEN USED. ONE YEAR WARRANTY ON ALL PARTS. APPLIES TO ORIGINAL PURCHASER. CLAIMS REQUIRE PROOF OF PURCHASE.