

# BWSTUG

## 3-1/2" PLASTIC MOLDED STEMBALL KITCHEN SINK STRAINER FOR GRANITE SINKS

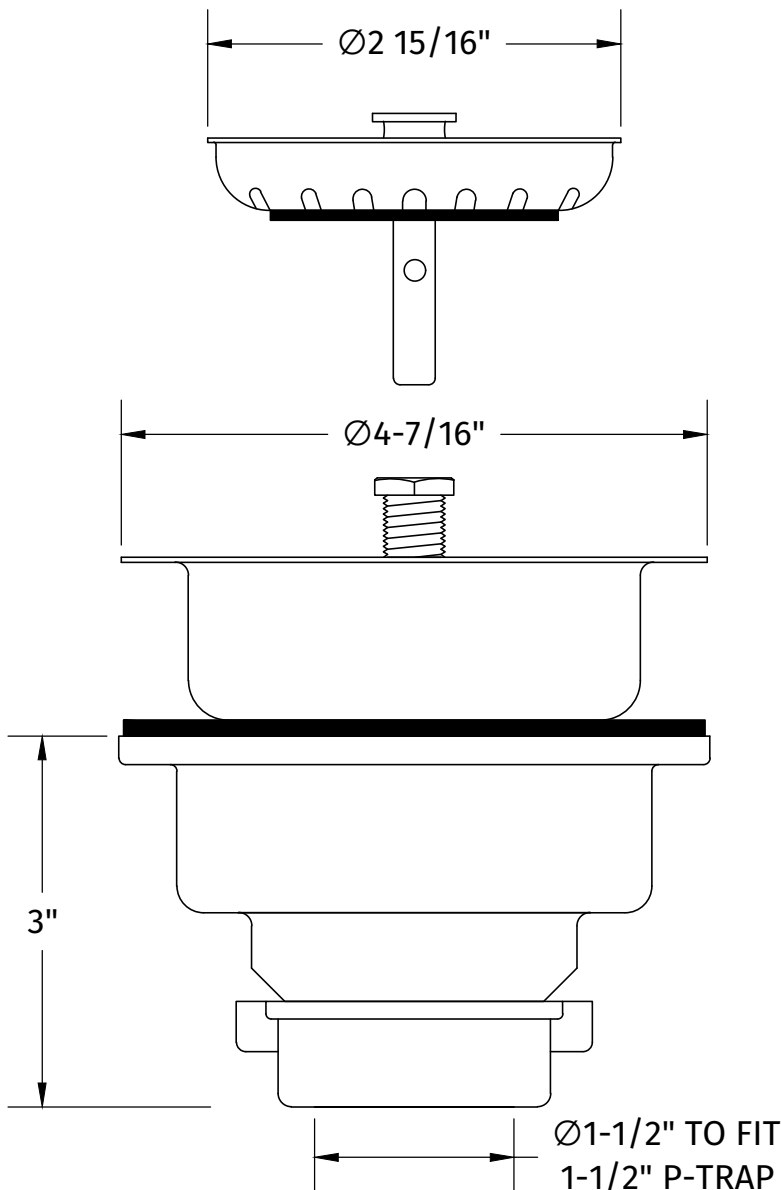
### SPECIFICATION SHEET



A McAlpine Company

# Mountain

Plumbing Products



- WILL FIT STANDARD Ø3-1/2" DRAIN OPENING
- PLASTIC MOLDED FLANGE AND STRAINER
- POLYPROPYLENE STRAINER BODY WON'T CORRODE
- SPRING-LOADED STAINLESS STEEL POST ALLOWS FOR SMOOTH OPERATION
- FITS SINKS UP TO 7/8" THICK (FOR THICKER SINKS, ORDER BRBOLT/90 TO ALLOW UP TO 2-3/4" THICKNESS)

#### **WARRANTY**

FOR WARRANTY INFO PLEASE VISIT [WWW.MOUNTAINPLUMBING.COM/PAGE/RESOURCES/WARRANTY](http://WWW.MOUNTAINPLUMBING.COM/PAGE/RESOURCES/WARRANTY)

#### **FINISH CARE & MAINTENANCE**

NEVER USE ANY HARSH ALKALI, ACID BASED DETERGENTS OR CLEANERS SUCH AS SOFT SCRUB®, SCRUBBING BUBBLES® OR COMET® TO CLEAN. DO NOT USE BRILLO® AND SCOTCH BRITE® PADS. THESE WILL ALL HARM THE FINISH. TO CLEAN, USE ONLY A DAMP SOFT CLOTH AND WIPE USING A SOFT CLOTH. STANDARD WINDEX® CAN ALSO BE USED SPARINGLY. IT IS NOT NECESSARY TO WIPE HARD TO REMOVE SPOTS. TO MAINTAIN THE FINISH, WIPE WITH A SOFT DRY CLOTH AFTER USE. AN OCCASIONAL COAT OF PURE CARNAUBA WAX WITHOUT CLEANERS WILL HELP PROTECT THE FINISH.

SPECIFICATIONS SUBJECT TO CHANGE WITHOUT NOTICE