

BWSTU

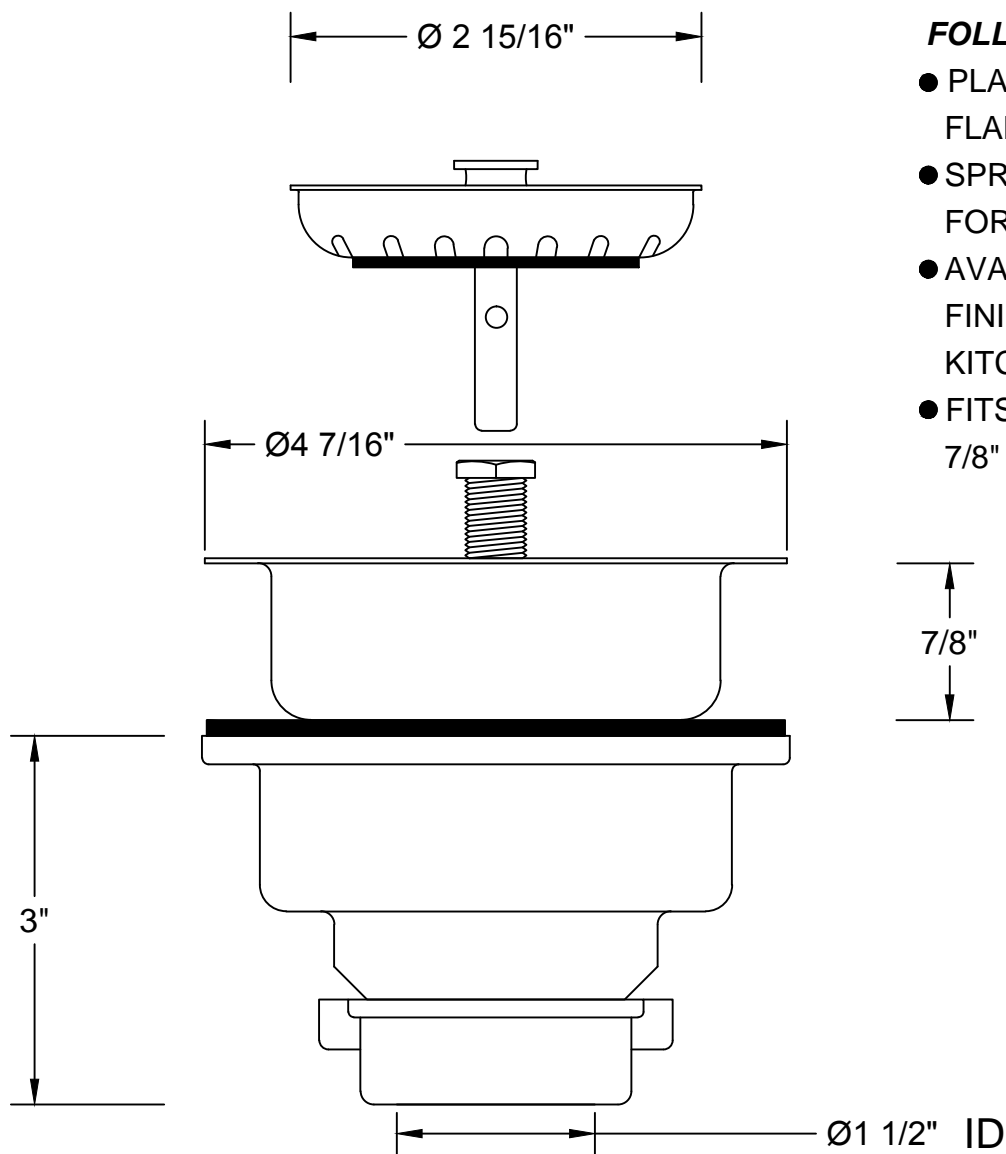
PLASTIC MOLDED KITCHEN SINK STRAINER WITH SPRING LOADED CENTER POST SPECIFICATION SHEET

Mc ALPINE



THIS MODEL OFFERS THE FOLLOWING FEATURES:

- PLASTIC MOLDED FLANGE AND STRAINER
- SPRING LOADED POST FOR SMOOTH OPERATION
- AVAILABLE IN MULTIPLE FINISHES TO MATCH YOUR KITCHEN SINK
- FITS SINKS UP TO 7/8" THICK



WARRANTY

ONE YEAR WARRANTY ON PLATED FINISHES, 90 DAY WARRANTY ON ORB, VB & LIFETIME ON PVD PROVIDED PROPER CARE HAS BEEN USED. ONE YEAR WARRANTY ON ALL PARTS. WARRANTY APPLIES TO ORIGINAL PURCHASER AND CLAIMS REQUIRE PROOF OF PURCHASE.

FINISH CARE & MAINTENANCE

NEVER USE ANY HARSH ALKALI, ACID BASED DETERGENTS OR CLEANERS SUCH AS SOFT SCRUB[®], SCRUBBING BUBBLES[®] OR COMET[®] TO CLEAN. DO NOT USE BRILLO[®] AND SCOTCH BRITE[®] PADS. THESE WILL ALL HARM THE FINISH. TO CLEAN, USE ONLY A DAMP SOFT CLOTH AND WIPE USING A SOFT CLOTH. STANDARD WINDEX[®] CAN ALSO BE USED SPARINGLY. IT IS NOT NECESSARY TO WIPE HARD TO REMOVE SPOTS. TO MAINTAIN THE FINISH, WIPE WITH A SOFT DRY CLOTH AFTER USE. AN OCCASIONAL COAT OF PURE CARNUBA WAX WITHOUT CLEANERS WILL HELP PROTECT THE FINISH.