

# BDWOF

## EZ-CLICK™ BATH TUB DRAIN WITH OVERFLOW (DRAIN TUBE INCLUDED)

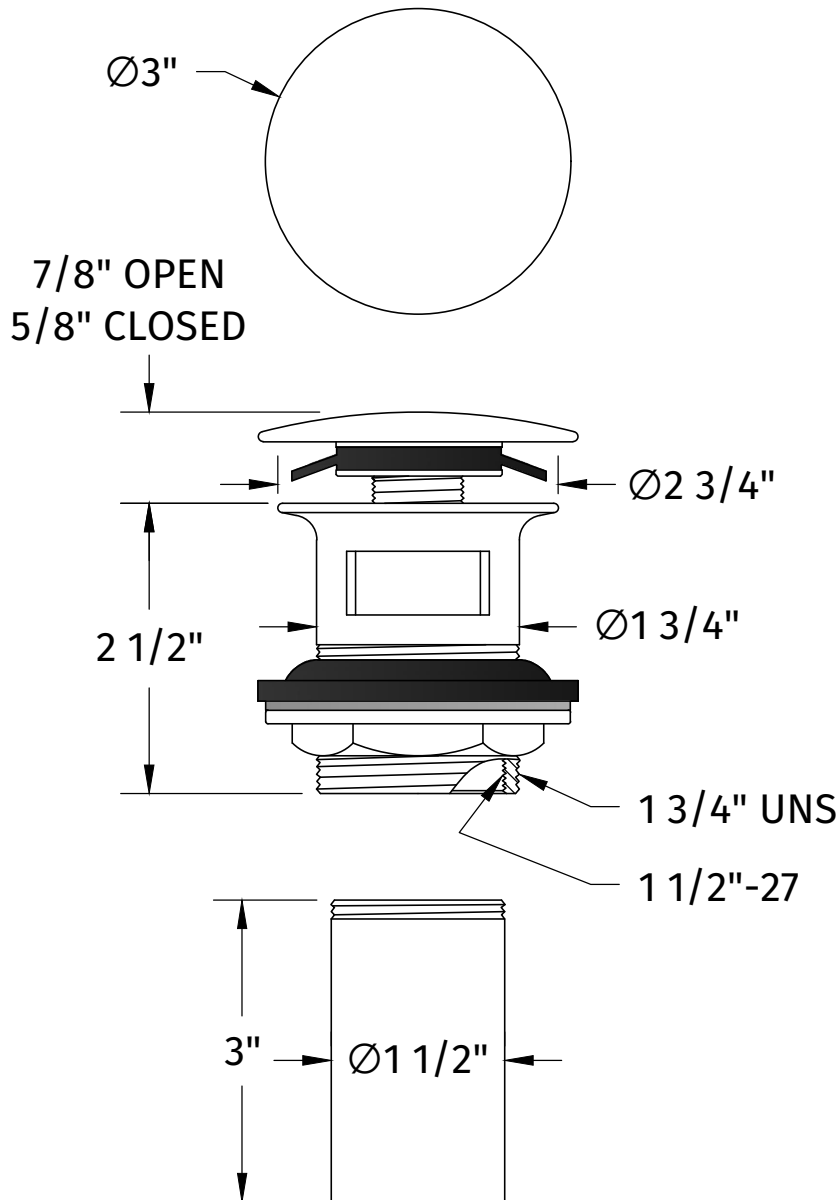
### SPECIFICATION SHEET



A McAlpine Company

# Mountain

Plumbing Products



- INTENDED FOR TUBS WITH BUILT-IN 1" MAXIMUM OVERFLOW
- NOT INTENDED TO BE USED WITH 1 1/2" STANDARD DRAIN SHOE
- INCLUDES 3" TAILPIECE TO FIT TO PLASTIC OR METAL PIPING (ADAPTERS NOT SUPPLIED)
- Ø1 7/8" DRAIN OPENING REQUIRED
- LIFETIME WARRANTY ON CLICKING MECHANISM.

#### WARRANTY

FOR WARRANTY INFO PLEASE VISIT [WWW.MOUNTAINPLUMBING.COM/PAGE/RESOURCES/WARRANTY](http://WWW.MOUNTAINPLUMBING.COM/PAGE/RESOURCES/WARRANTY)

#### FINISH CARE & MAINTENANCE

NEVER USE ANY HARSH ALKALI, ACID BASED DETERGENTS OR CLEANERS SUCH AS SOFT SCRUB®, SCRUBBING BUBBLES® OR COMET® TO CLEAN. DO NOT USE BRILLO® AND SCOTCH BRITE® PADS. THESE WILL ALL HARM THE FINISH. TO CLEAN, USE ONLY A DAMP SOFT CLOTH AND WIPE USING A SOFT CLOTH. STANDARD WINDEX® CAN ALSO BE USED SPARINGLY. IT IS NOT NECESSARY TO WIPE HARD TO REMOVE SPOTS. TO MAINTAIN THE FINISH, WIPE WITH A SOFT DRY CLOTH AFTER USE. AN OCCASIONAL COAT OF PURE CARNAUBA WAX WITHOUT CLEANERS WILL HELP PROTECT THE FINISH.

SPECIFICATIONS SUBJECT TO CHANGE WITHOUT NOTICE