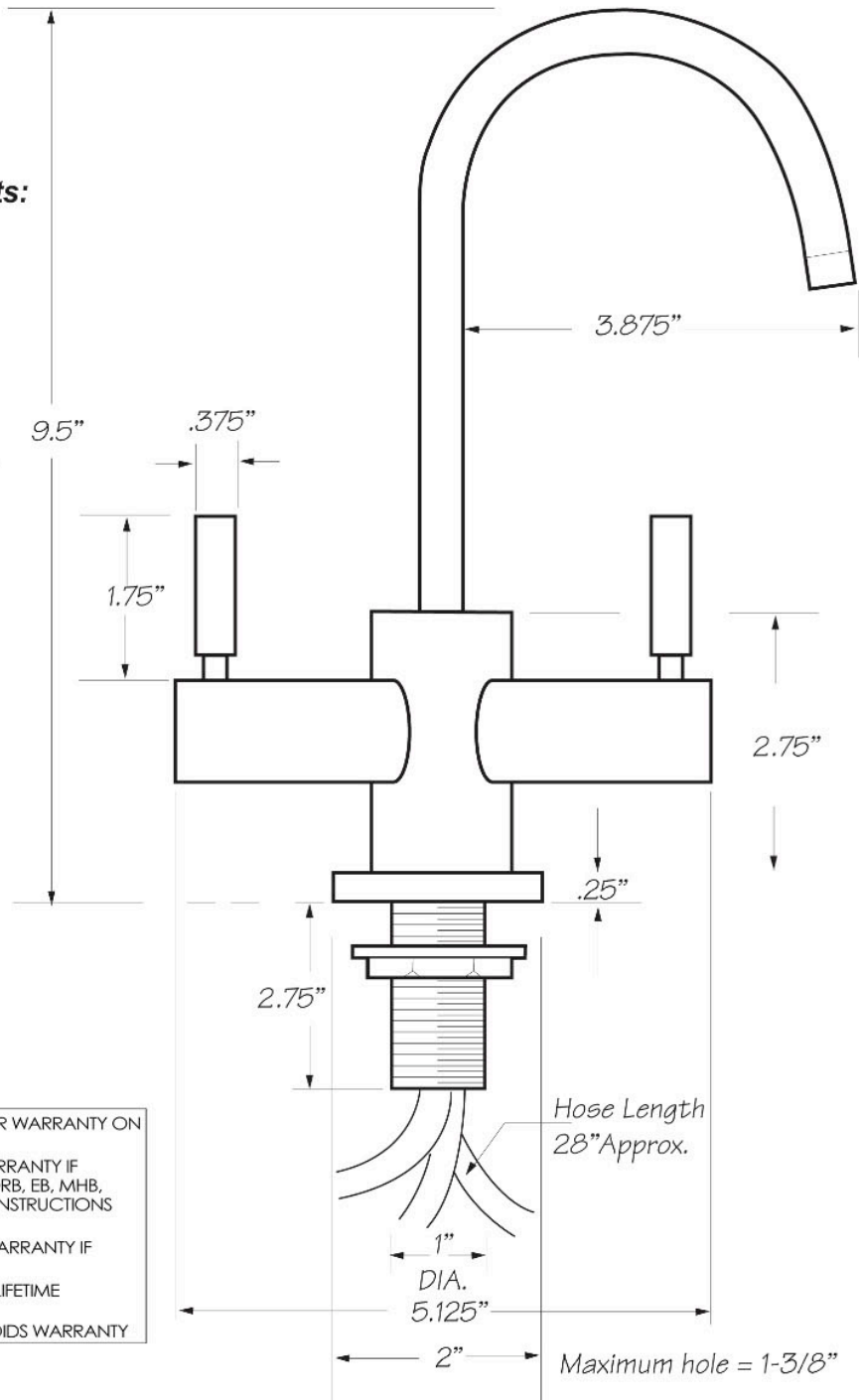


**This model offers you the following features & benefits:**

- All brass body
- Insulated spout for safety
- Self closing spring-loaded hot valve to protect from accidental burns to your family
- Contemporary styling
- Available in 6 finishes
  - CPB - Polished Chrome
  - PN - Polished Nickel
  - BRN - Brushed Nickel
  - PVD - PVD Brass
  - ORB - Oil Rubbed Bronze
  - SS - Stainless Steel
- To be used with a Mountain Heating Tank only



**Warranty**

\*ALL MOUNTAIN PRODUCTS CARRY A 1 YEAR WARRANTY ON ALL WORKING PARTS.(except disposers)  
 \*MOST SPECIAL FINISHES HAVE A 1 YEAR WARRANTY IF INSTRUCTIONS ARE FOLLOWED PROPERLY. ORB, EB, MHB, WCP, AND TB HAVE A 90 DAY WARRANTY IF INSTRUCTIONS ARE FOLLOWED PROPERLY.  
 \*ALL PVD FINISHES COME WITH A LIFETIME WARRANTY IF INSTRUCTIONS ARE FOLLOWED PROPERLY  
 \*ALL XENYO COLORED PRODUCTS HAVE A LIFETIME WARRANTY  
 \*USE OF PLUMBERS PUTTY ON PRODUCTS VOIDS WARRANTY

**Complies with NSF Standards**

Specifications subject to change without notice.