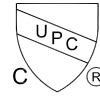


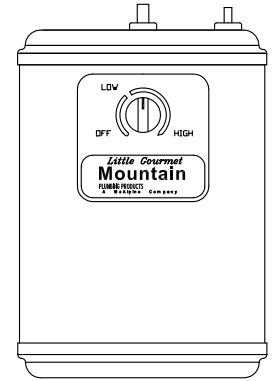
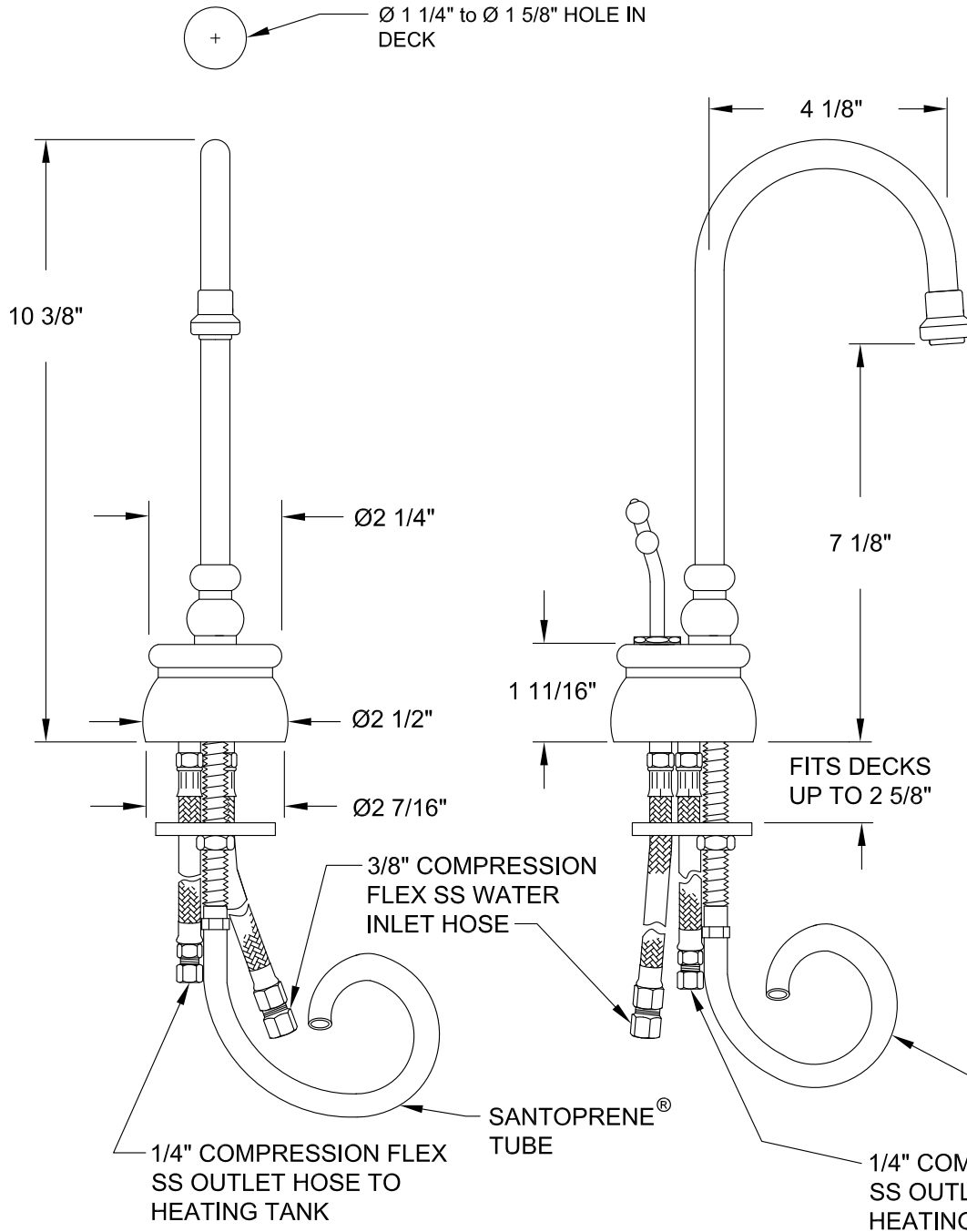
# MT540DIY-NL SPECIFICATIONS

THE LITTLE GOURMET® LEAD FREE\* INSTANT HOT AND COLD WATER DISPENSER WITH HEATING TANK



**THIS DISPENSER OFFERS THE FOLLOWING FEATURES AND BENEFITS:**

- LEAD FREE BRASS\*
- INSTANT 190° F HOT WATER
- SELF CLOSING HOT HANDLE
- CAN BE USED WITH MT660 OR MT662 MOUNTAIN PURE WATER FILTERS
- NOT RECOMMENDED FOR RO FILTERS



MT641 HEATING TANK

### WARRANTY

ONE YEAR WARRANTY ON PLATED FINISHES, 90 DAY WARRANTY ON ORB, EB, MHB, TB AND WCP AND LIFETIME ON PVD PROVIDED PROPER CARE HAS BEEN USED. ONE YEAR WARRANTY ON ALL PARTS. THE HEATING TANK HAS A THREE YEAR LIMITED WARRANTY. WARRANTY APPLIES TO ORIGINAL PURCHASER AND CLAIMS REQUIRE PROOF OF PURCHASE.

### FINISH CARE & MAINTENANCE

NEVER USE ANY HARSH ALKALI, ACID BASED DETERGENTS OR CLEANERS SUCH AS SOFT SCRUB®, SCRUBBING BUBBLES® OR COMET® TO CLEAN. DO NOT USE BRILLO® AND SCOTCH BRITE® PADS. THESE WILL ALL HARM THE FINISH. TO CLEAN, USE ONLY A DAMP SOFT CLOTH AND WIPE USING A SOFT CLOTH. STANDARD WINDEX® CAN ALSO BE USED SPARINGLY. IT IS NOT NECESSARY TO WIPE HARD TO REMOVE SPOTS. TO MAINTAIN THE FINISH, WIPE WITH A SOFT DRY CLOTH AFTER USE. AN OCCASIONAL COAT OF PURE CARNUBA WAX WITHOUT CLEANERS WILL HELP PROTECT THE FINISH.

\*0.25% LEAD MAX PER CA AB1953