

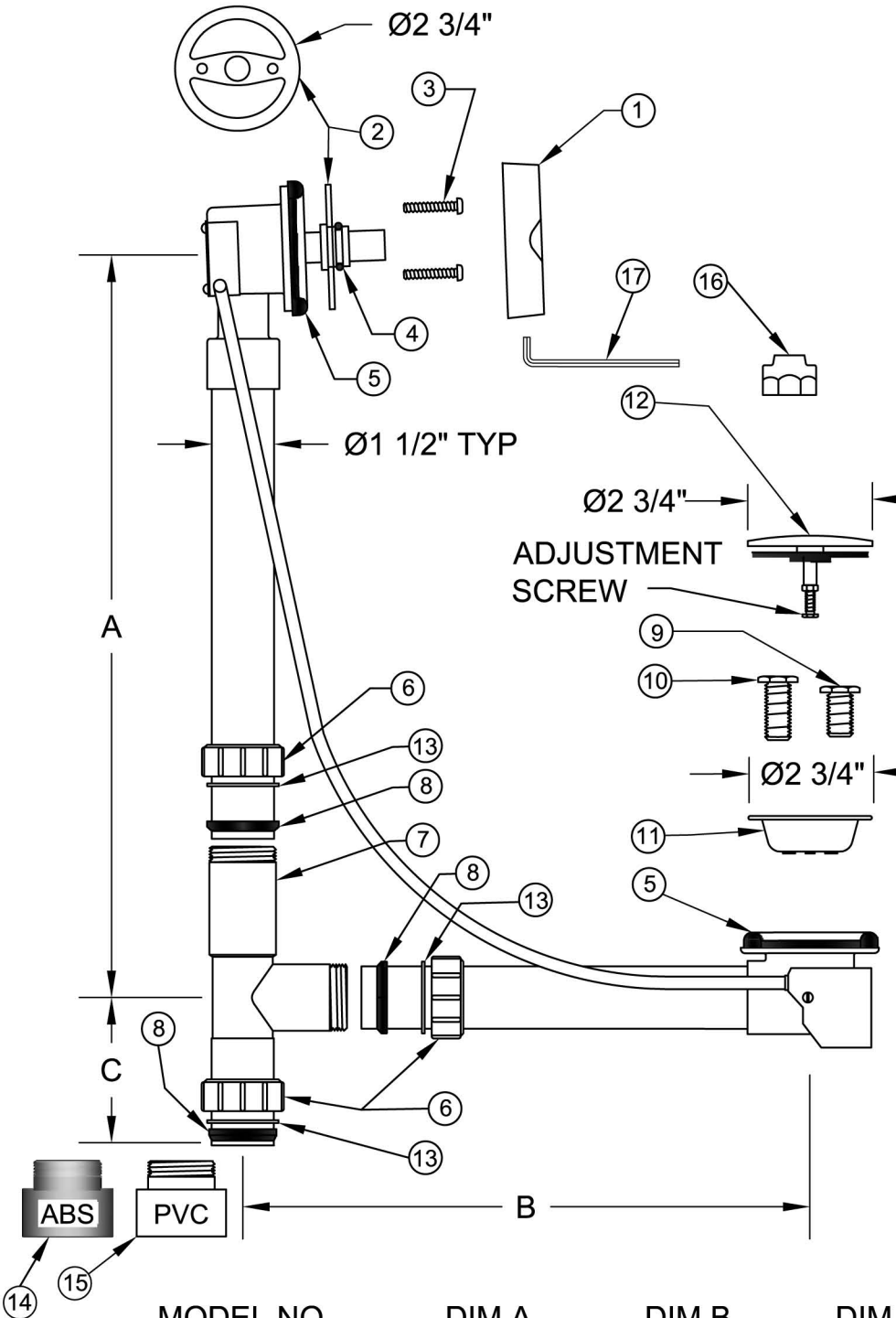
# BDR20PP22 ~ BDR20PP27 SPECIFICATIONS

POLYPROPYLENE CABLE DRIVE BATH  
WASTE AND OVERFLOW DRAIN



**THIS BATH DRAIN OFFERS  
THE FOLLOWING FEATURES  
AND BENEFITS;**

- SUPERIOR STRENGTH POLYPROPYLENE
- IAPMO LISTED
- FITS TUBS UP TO 9/16"
- FITS TUBS TO 1" WITH OPTIONAL EXTENSION KIT BDR20PP-EXTKIT
- ADAPTERS TO CONNECT 1 1/2" ABS OR PVC PIPING



	DESCRIPTION
①	HANDLE
②	OVERFLOW PLATE
③	SCREWS
④	ORING
⑤	RUBBER WASHER
⑥	TUBE SLIP NUT
⑦	DRAIN TEE
⑧	TAPERED WASHER
⑨	FERRULE 28
⑩	FERRULE 32
⑪	DRAIN FLANGE
⑫	DRAIN CAP
⑬	SLIP WASHER
⑭	ABS ADAPTER
⑮	PVC ADAPTER
⑯	FERRULE INST TOOL
⑰	HEX WRENCH

MODEL NO	DIM A	DIM B	DIM C	CABLE LENGTH
BDR20PP22	12"-22"	7"-12"	4"	27"
BDR20PP27	22"-28"	7"-12"	4"	39"

## WARRANTY

ONE YEAR WARRANTY ON PLATED FINISHES, 90 DAY WARRANTY ON ORB, EB, MHB, TB AND WCP AND LIFETIME ON PVD PROVIDED PROPER CARE HAS BEEN USED. ONE YEAR WARRANTY ON ALL PARTS. WARRANTY APPLIES TO ORIGINAL PURCHASER AND CLAIMS REQUIRE PROOF OF PURCHASE.