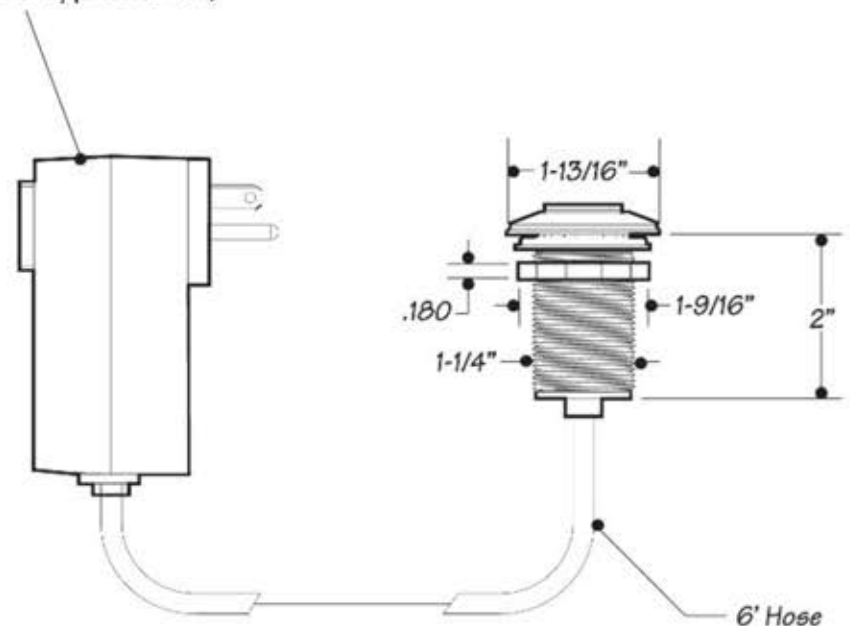


### INSTALLATION DIMENSIONS

*This model offers you the following features & benefits:*

- 1-3/8" mounting hole
- Air actuated
- No tools required
- Two inlets
- Available in 16 finishes
  - PS - Polished Stainless
  - BRS - Brushed Stainless
  - CPB - Polished Chrome
  - SC - Satin Chrome
  - PN - Polished Nickel
  - BRN - Brushed Nickel
  - PEW - Pewter
  - AB - Antique Brass
  - PVD - Polished Brass
  - WB - Weathered Brass
  - WCP - Weathered Copper
  - ACP - Antique Copper
  - PCP - Polished Copper
  - ORB - Oil Rubbed Bronze
  - VB - Venetian Bronze\*
  - PVDBB - Brushed Bronze
  - TB - Tuscan Brass

120 VAC - 15 amp UL listed  
Indoor application only



### Warranty

\*ALL MOUNTAIN PRODUCTS CARRY A 1 YEAR WARRANTY ON ALL WORKING PARTS.(except disposers)

\*MOST SPECIAL FINISHES HAVE A 1 YEAR WARRANTY IF INSTRUCTIONS ARE FOLLOWED PROPERLY. ORB, EB, MHB, WCP, AND TB HAVE A 90 DAY WARRANTY IF INSTRUCTIONS ARE FOLLOWED PROPERLY.

\*ALL PVD FINISHES COME WITH A LIFETIME WARRANTY IF INSTRUCTIONS ARE FOLLOWED PROPERLY

\*ALL XENYO COLORED PRODUCTS HAVE A LIFETIME WARRANTY

\*USE OF PLUMBERS PUTTY ON PRODUCTS VOIDS WARRANTY



Specifications subject to change without notice.