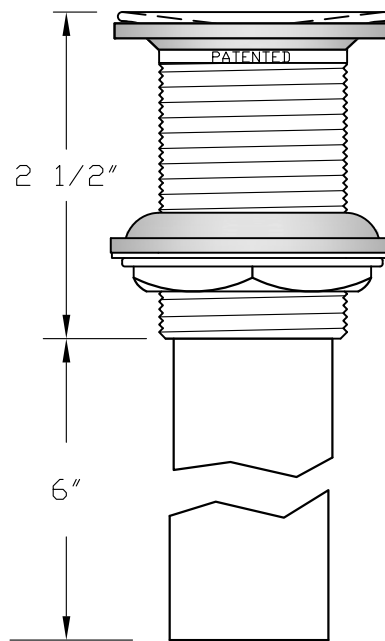
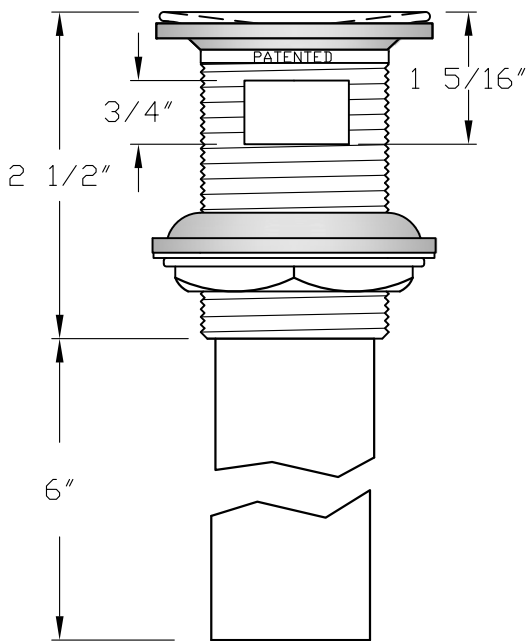
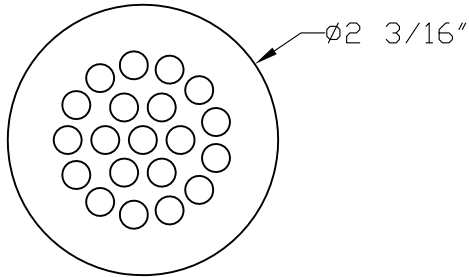


MT730-2 & MT740-2 SPECIFICATIONS

FAST FLOW LAVATORY GRID DRAIN



$\varnothing 1 \frac{1}{4}"$
TAILPIECE

MT730-2

MT740-2

THIS DECORATIVE DRAIN HAS THE FOLLOWING FEATURES AND BENEFITS:

- PATENTED FAST FLOW QUIET DRAIN
- FITS SINKS WITH 1 1/2" DRAIN HOLE
- 20 HOLES FOR FAST DRAINING
- ANGLE TOP ELIMINATES AIR JAM
- ANGLE TOP ELIMINATES WATER POOLING ON DRAIN TOP
- CLEAR SILICONE WASHERS
- ENTIRE DRAIN IS PLATED FOR EXPOSED LOCATIONS
- SPECIFICATION GRADE QUALITY CONSTRUCTION AND 17GA TAILPIECE

WARRANTY

ONE YEAR WARRANTY ON PLATED FINISHES, 90 DAY WARRANTY ON ORB, EB, MHB, TB AND WCP AND LIFETIME ON PVD PROVIDED PROPER CARE HAS BEEN USED. ONE YEAR WARRANTY ON ALL PARTS. APPLIES TO ORIGINAL PURCHASER AND CLAIMS REQUIRE PROOF OF PURCHASE.

FINISH CARE & MAINTENANCE

NEVER USE ANY HARSH ALKALI, ACID BASED DETERGENTS OR CLEANERS SUCH AS SOFT SCRUB[®] THESE WILL ALL HARM THE FINISH. TO CLEAN, USE ONLY A DAMP SOFT CLOTH AND WIPE USING A SOFT CLOTH. STANDARD WINDEX[®] CAN ALSO BE USED SPARINGLY. AN OCCASIONAL COAT OF PURE CARNUBA WAX WITHOUT CLEANERS WILL HELP PROTECT THE FINISH.