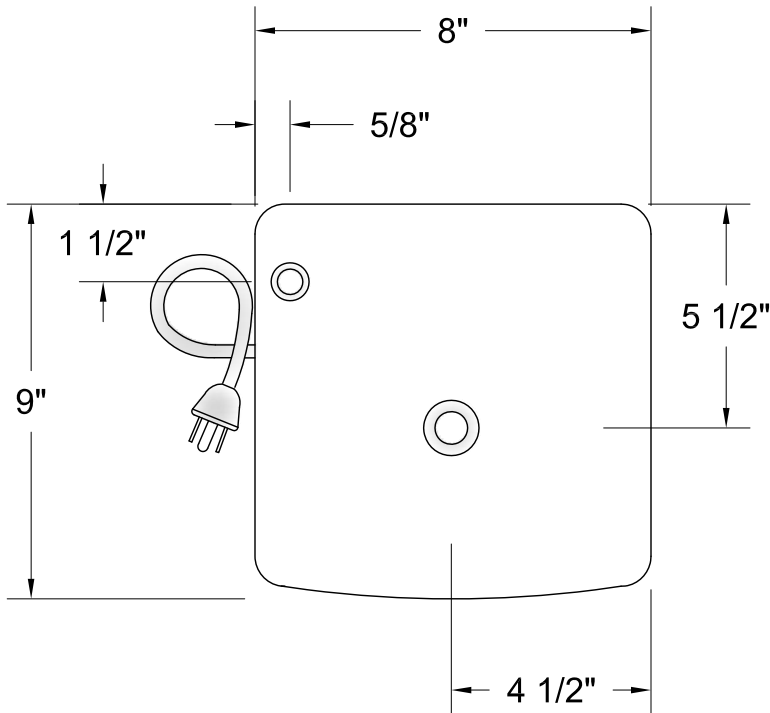


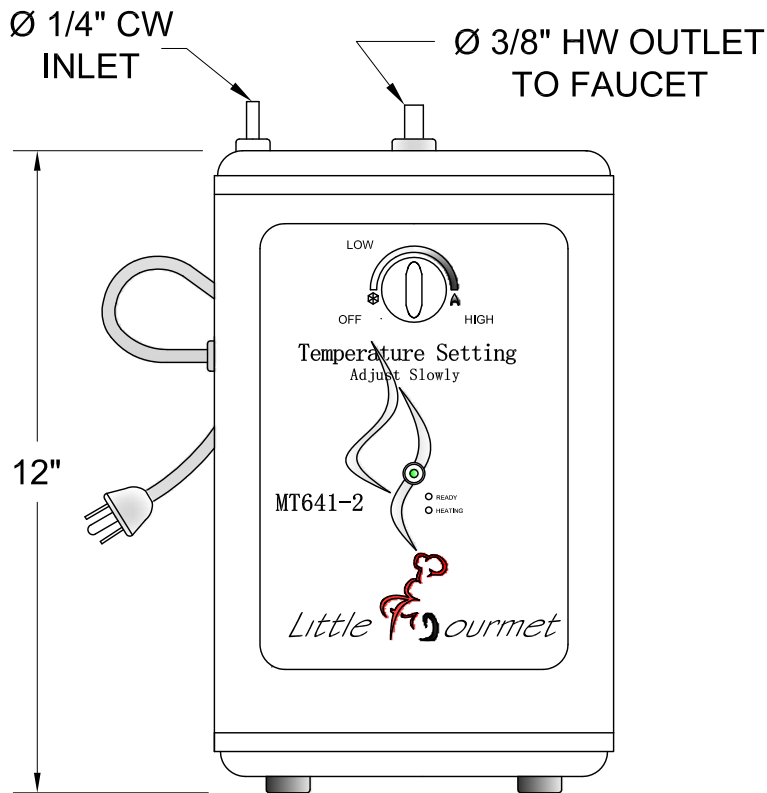
MT641-2 HEATING TANK

SPECIFICATION SHEET



THIS HEATING TANK OFFERS THE FOLLOWING FEATURES:

- 5/8 GALLON STAINLESS STEEL TANK
- ALL STAINLESS STEEL TUBES
- STAINLESS STEEL CASE
- RO FILTER COMPATIBLE
- HEATS 60 CUPS PER HOUR
- 3 YEAR WARRANTY TO ORIGINAL PURCHASER



ELECTRICAL SPECIFICATIONS

- 120 VAC, 60HZ, 1300 WATTS
- MAX. TEMP 190°F +/-3°
- \$4.75 ESTIMATED MONTHLY COST
- BASED ON 12 8OZ CUPS PER DAY