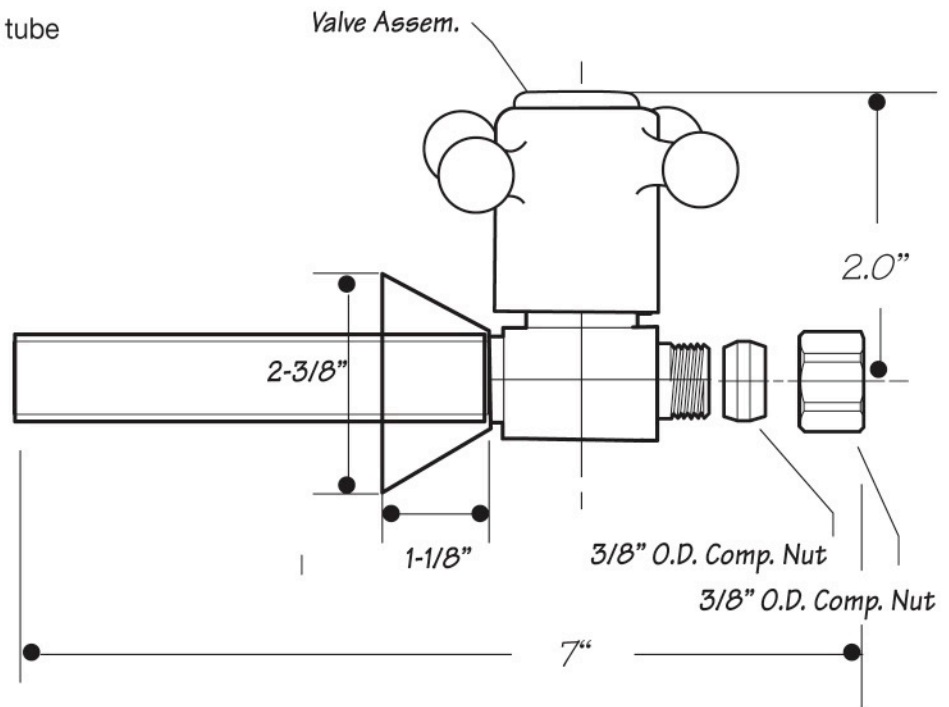


## INSTALLATION DIMENSIONS

***This model offers you the following features & benefits:***

- 5/8" I.D. slips over 1/2" copper tube for sweat connection
- 3/8" O.D. Outlet Compression
- 1/4 Turn ceramic cartridge
- Available in 10 finishes
  - CPB - Polished Chrome
  - PN - Polished Nickel
  - BRN - Brushed Nickel
  - EB - English Bronze
  - ORB - Oil Rubbed Bronze
  - PVD - Polished Brass
  - SB - Satin Brass
  - TB - Tuscan Brass
  - VB - Venetian Bronze\*
  - PVDBB - Brushed Bronzes



### Warranty

- \*ALL MOUNTAIN PRODUCTS CARRY A 1 YEAR WARRANTY ON ALL WORKING PARTS.(except disposers)
- \*MOST SPECIAL FINISHES HAVE A 1 YEAR WARRANTY IF INSTRUCTIONS ARE FOLLOWED PROPERLY. ORB, EB, MHB, WCP, AND TB HAVE A 90 DAY WARRANTY IF INSTRUCTIONS ARE FOLLOWED PROPERLY.
- \*ALL PVD FINISHES COME WITH A LIFETIME WARRANTY IF INSTRUCTIONS ARE FOLLOWED PROPERLY
- \*ALL XENYO COLORED PRODUCTS HAVE A LIFETIME WARRANTY
- \*USE OF PLUMBERS PUTTY ON PRODUCTS VOIDS WARRANTY

*Specifications subject to change without notice.*