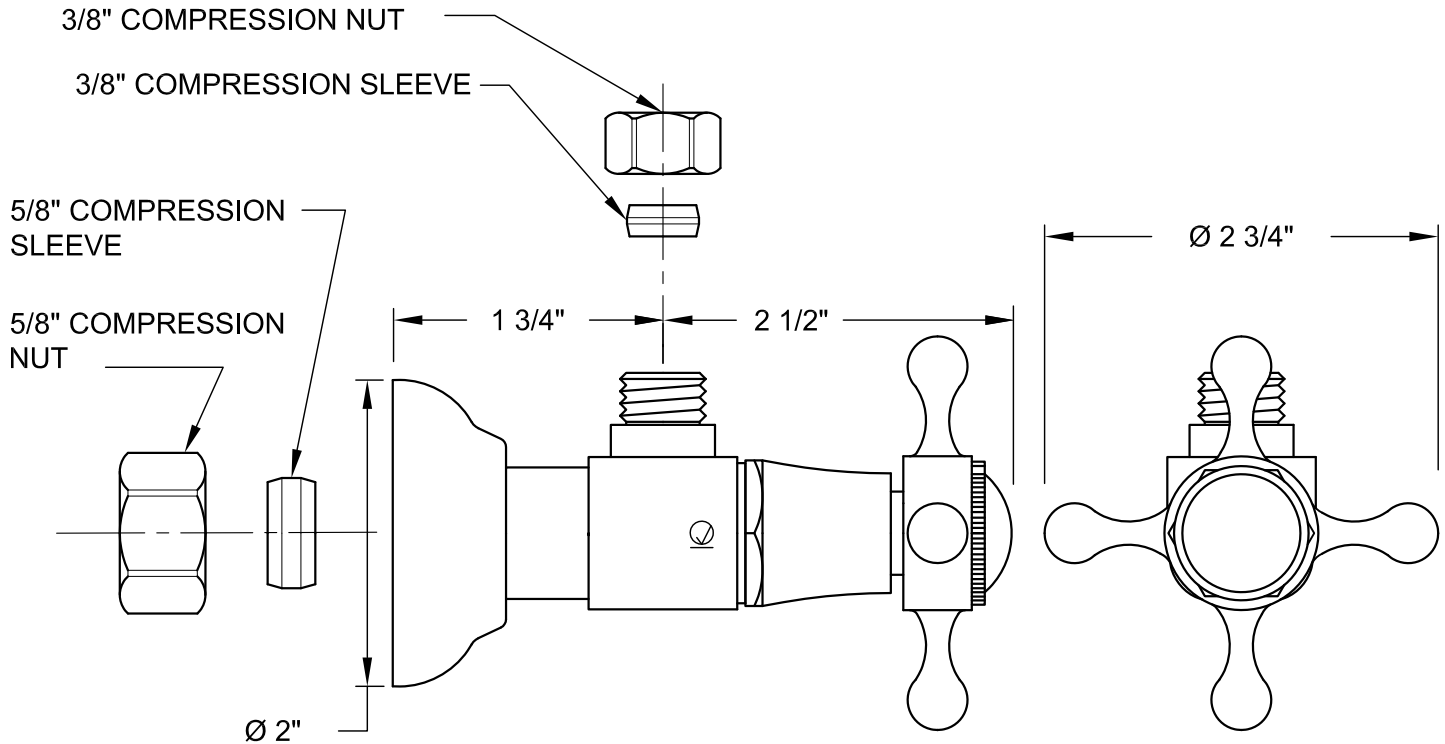
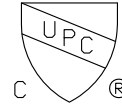


MT4004X-NL SPECIFICATIONS

DELUXE CROSS HANDLE NO LEAD*
ANGLE VALVE WITH 1/4 TURN
CERAMIC DISC CARTRIDGE



THIS ANGLE VALVE OFFERS THE FOLLOWING FEATURES & BENEFITS:

- 1/4 TURN LONG LIFE CERAMIC DISC CARTRIDGE
- 3/8" O.D. COMPRESSION OUTLET
- 5/8" O.D. COMPRESSION INLET
- LARGE ESCUTCHEON COVERS HOLE IN WALL
- C46400 NO LEAD BRASS ALL WATER CONTACT PARTS
- C36000 LOW LEAD BRASS ALL OTHER PARTS
- MAX PRESSURE 100 psi
- MAX TEMPERATURE 180 deg F

WARRANTY

ONE YEAR WARRANTY ON PLATED FINISHES, 90 DAY WARRANTY ON ORB, EB, MHB, TB AND WCP AND LIFETIME ON PVD PROVIDED PROPER CARE HAS BEEN USED. ONE YEAR WARRANTY ON ALL PARTS. APPLIES TO ORIGINAL PURCHASER . CLAIMS REQUIRE PROOF OF PURCHASE.

FINISH CARE & MAINTENANCE

NEVER USE ANY HARSH ALKALI, ACID BASED DETERGENTS OR CLEANERS SUCH AS SOFT SCRUB, SCRUBBING BUBBLES, OR COMET TO CLEAN. DO NOT USE BRILLO AND SCOTCH BRITE PADS. THESE WILL ALL HARM THE FINISH. TO CLEAN, USE ONLY A DAMP SOFT CLOTH AND WIPE USING A SOFT CLOTH. STANDARD WINDEX CAN ALSO BE USED SPARINGLY. TO MAINTAIN THE FINISH, WIPE WITH A SOFT DRY CLOTH. AN OCCASIONAL COAT OF PURE CARNUBA WAX WITHOUT CLEANERS WILL HELP PROTECT THE FINISH.