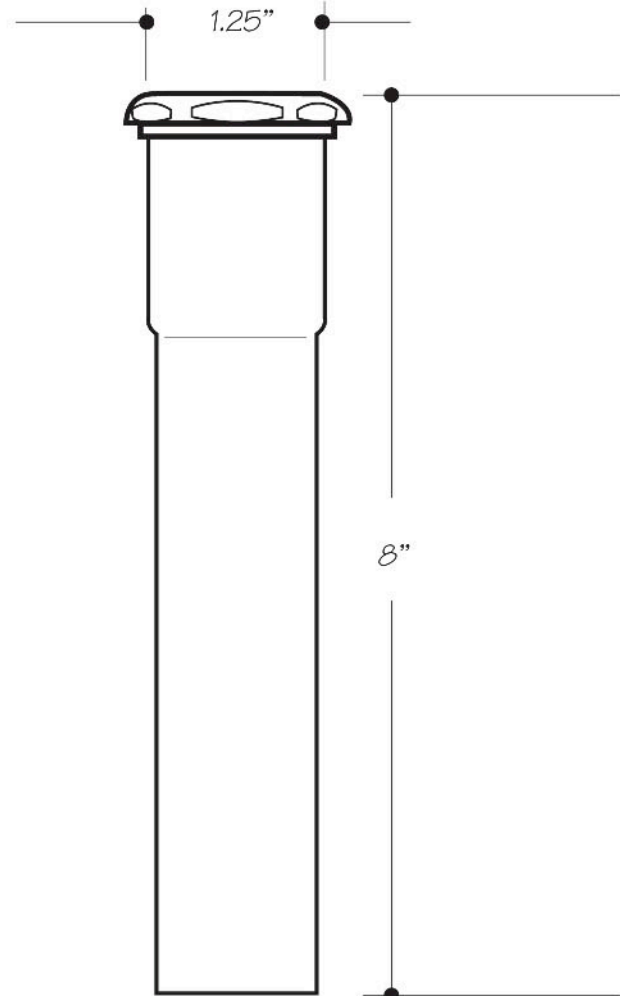


### INSTALLATION DIMENSIONS

***This model offers you the following features & benefits:***

- Slip-Joint extension tailpiece
- Can be cut to desired size
- Plated Brass
- 1-1/4" x 8" Tailpiece
- Available in 21 finishes
  - CPB - Polished Chrome
  - SC - Satin Chrome
  - PN - Polished Nickel
  - BRN - Brushed Nickel
  - PEW - Pewter
  - PRN - Pearl Nickel
  - AB - Antique Brass
  - SB - Satin Brass
  - PVD - Polished Brass
  - WB - Weathered Brass
  - WCP - Weathered Copper
  - ACP - Antique Copper
  - PCP - Polished Copper
  - ORB - Oil Rubbed Bronze
  - VB - Venetian Bronze\*
  - PVDDBB - Brushed Bronze
  - TB - Tuscan Brass
  - MB - Matte Black
  - FG - French Gold
  - GPB - Polished Gold
  - SG - Satin Gold



#### **Warranty**

\*ALL MOUNTAIN PRODUCTS CARRY A 1 YEAR WARRANTY ON ALL WORKING PARTS.(except disposers)

\*MOST SPECIAL FINISHES HAVE A 1 YEAR WARRANTY IF INSTRUCTIONS ARE FOLLOWED PROPERLY. ORB, EB, MHB, WCP, AND TB HAVE A 90 DAY WARRANTY IF INSTRUCTIONS ARE FOLLOWED PROPERLY.

\*ALL PVD FINISHES COME WITH A LIFETIME WARRANTY IF INSTRUCTIONS ARE FOLLOWED PROPERLY

\*ALL XENYO COLORED PRODUCTS HAVE A LIFETIME WARRANTY

\*USE OF PLUMBERS PUTTY ON PRODUCTS VOIDS WARRANTY

*Specifications subject to change without notice.*