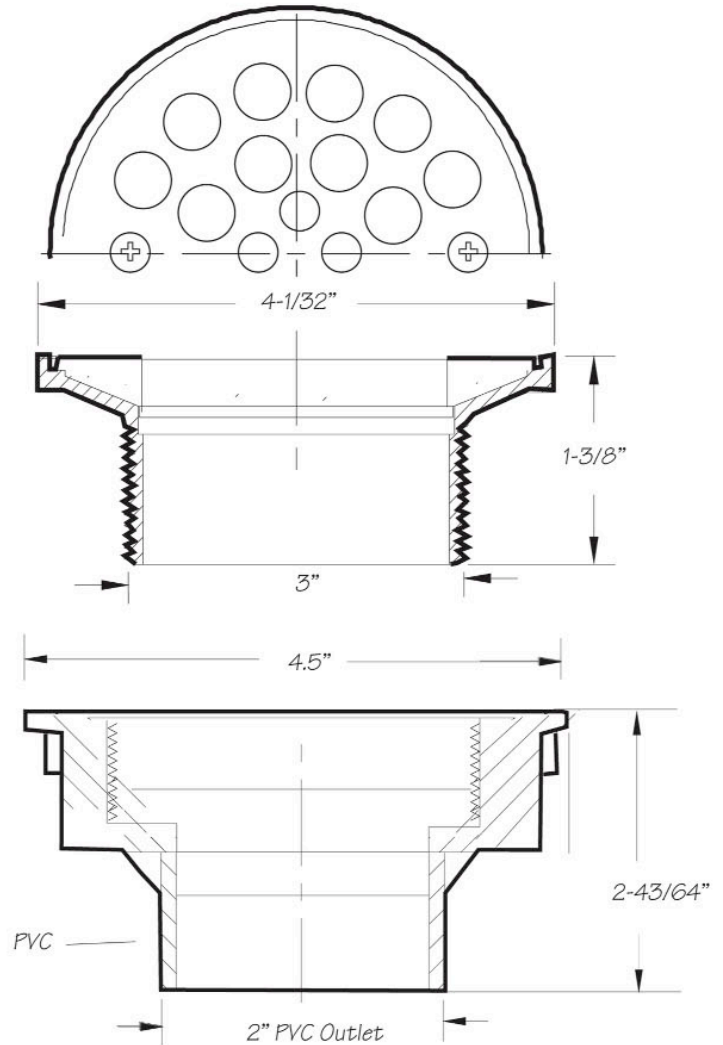


INSTALLATION DIMENSIONS

This model offers you the following features & benefits:

- 4-1/4" Round Nickel-Bronze Drain with PVC body
- Brass Grid with 2-1/2 cc screw holes
- Fits 2" PVC Pipe
- For Fiberglass, Acrylic or similar Shower Bases
- IAPMO/UPC listed
- Solvent Weld Connection with appropriate and approved PVC primer and cement that meets ASTM F565 and D2564.
- Available in 19 finishes
 - CPB - Polished Chrome
 - SC - Satin Chrome
 - PN - Polished Nickel
 - BRN - Brushed Nickel
 - PEW - Pewter
 - PRN - Pearl Nickel
 - AB - Antique Brass
 - SB - Satin Brass
 - PVD - Polished Brass
 - EB - English Bronze
 - WCP - Weathered Copper
 - ACP - Antique Copper
 - PCP - Polished Copper
 - ORB - Oil Rubbed Bronze
 - VB - Venetian Bronze*
 - PVDBB - Brushed Bronze
 - TB - Tuscan Brass
 - MB - Matte Black
 - FG - French Gold
 - GPB - Polished Gold
 - SG - Satin Gold



Warranty

- *ALL MOUNTAIN PRODUCTS CARRY A 1 YEAR WARRANTY ON ALL WORKING PARTS.(except disposers)
- *MOST SPECIAL FINISHES HAVE A 1 YEAR WARRANTY IF INSTRUCTIONS ARE FOLLOWED PROPERLY. ORB, EB, MHB, WCP, AND TB HAVE A 90 DAY WARRANTY IF INSTRUCTIONS ARE FOLLOWED PROPERLY.
- *ALL PVD FINISHES COME WITH A LIFETIME WARRANTY IF INSTRUCTIONS ARE FOLLOWED PROPERLY
- *ALL XENYO COLORED PRODUCTS HAVE A LIFETIME WARRANTY
- *USE OF PLUMBERS PUTTY ON PRODUCTS VOIDS WARRANTY

Specifications subject to change without notice.