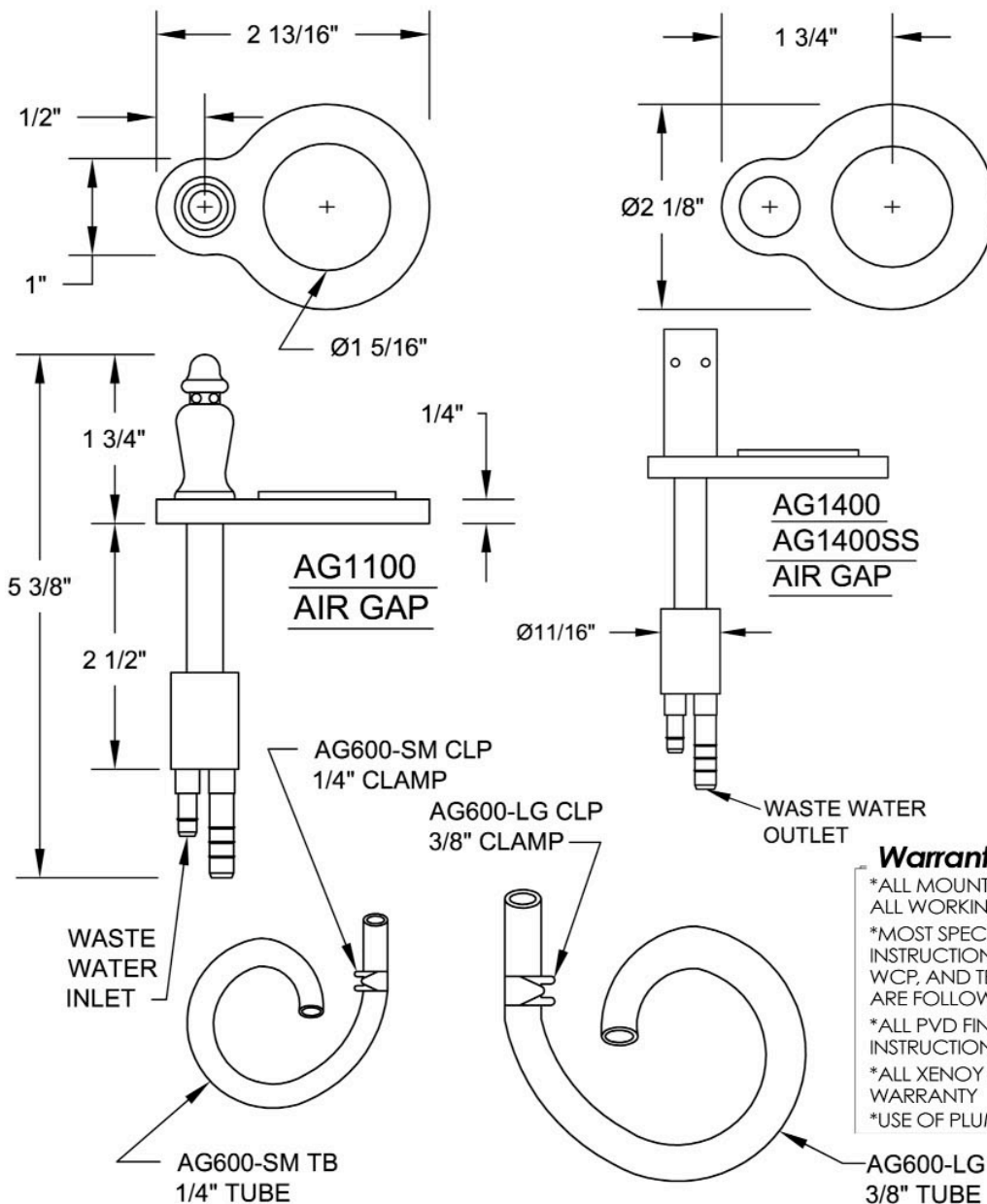
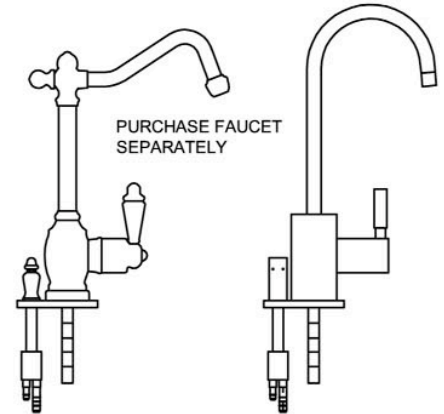
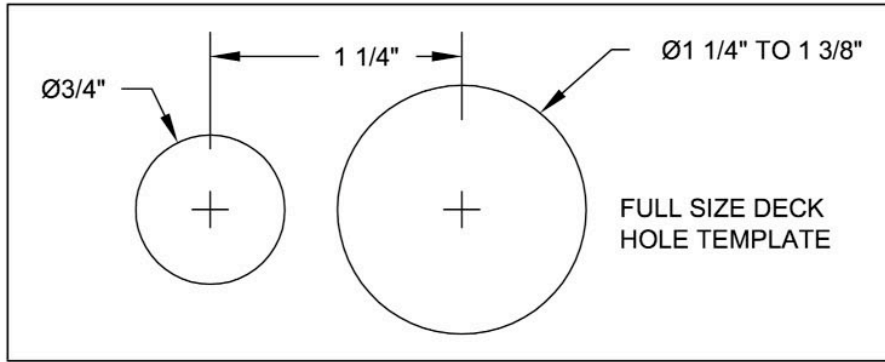


AG1100, AG1400, AG1400SS

DECORATIVE AIR GAP FOR REVERSE OSMOSIS FILTERS
USED WITH MT1103, MT1153, MT1203, MT1403, MT1403SS

Mountain
PLUMBING PRODUCTS



THESE AIR GAPS ARE AVAILABLE IN THE FOLLOWING FINISHES;

- CPB - Polished Chrome
- SC - Satin Chrome
- PN - Polished Nickel
- BRN - Brushed Nickel
- PEW - Pewter
- PVD - Polished Brass
- TB - Tuscan Brass
- WCP - Weathered Copper
- ACP - Antique Copper
- EB - English Bronze
- MHB - Mahogany Bronze
- ORB - Oil Rubbed Bronze
- VB - Venetian Bronze
- PVDBB - PVD Brushed Bronze
- SS - Stainless Steel

Warranty

- *ALL MOUNTAIN PRODUCTS CARRY A 1 YEAR WARRANTY ON ALL WORKING PARTS. (except disposers)
- *MOST SPECIAL FINISHES HAVE A 1 YEAR WARRANTY IF INSTRUCTIONS ARE FOLLOWED PROPERLY. ORB, EB, MHB, WCP, AND TB HAVE A 90 DAY WARRANTY IF INSTRUCTIONS ARE FOLLOWED PROPERLY.
- *ALL PVD FINISHES COME WITH A LIFETIME WARRANTY IF INSTRUCTIONS ARE FOLLOWED PROPERLY
- *ALL XENYO COLORED PRODUCTS HAVE A LIFETIME WARRANTY
- *USE OF PLUMBERS PUTTY ON PRODUCTS VOIDS WARRANTY